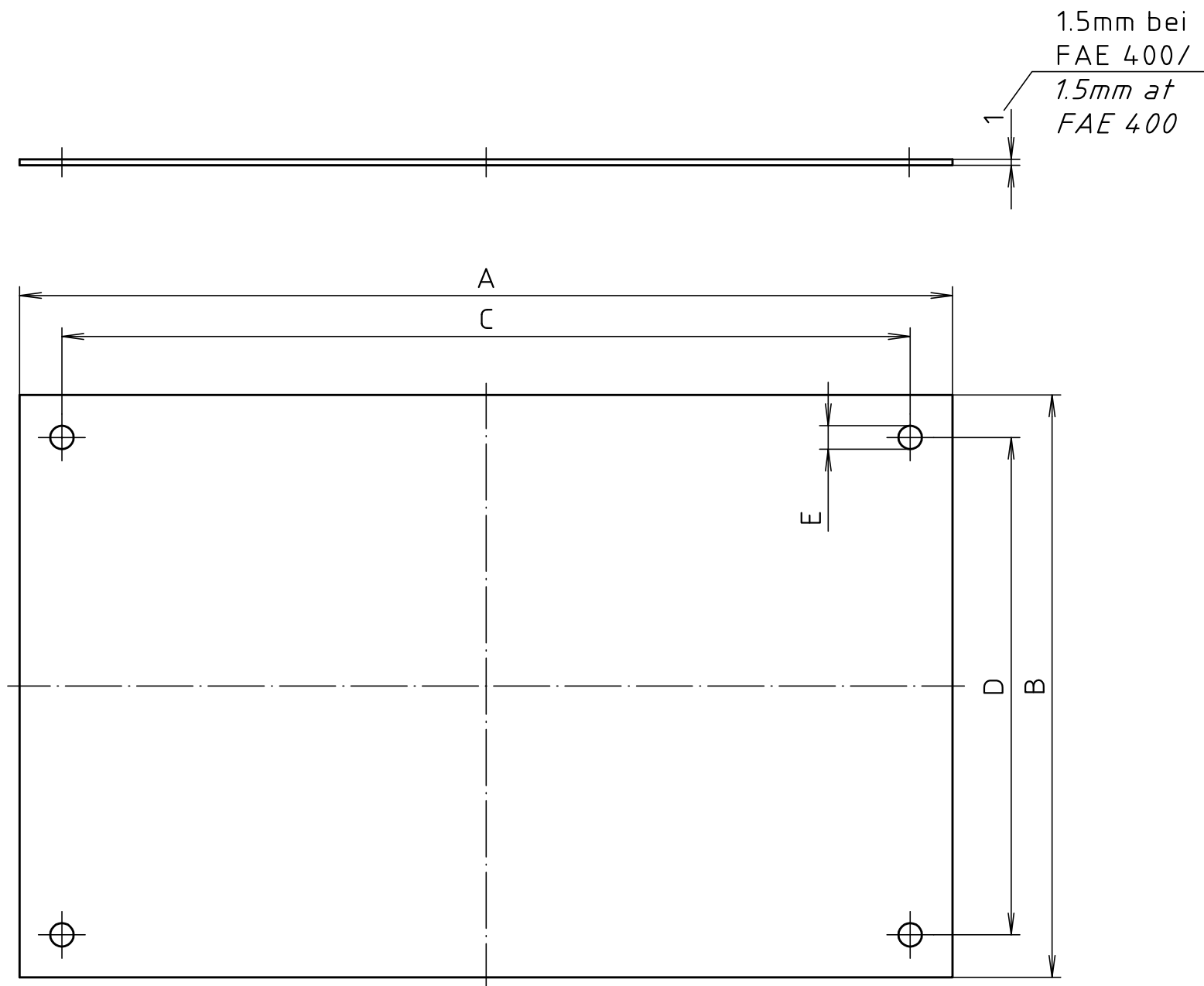


"Schutzvermerk nach DIN ISO 16016 beachten" "Please pay attention to copyright note DIN ISO 16016"



|             | A     | B     | C   | D   | E   |
|-------------|-------|-------|-----|-----|-----|
| FAE 130     | 124.5 | 124.5 | 110 | 110 | 4.2 |
| FAE 160/170 | 159.5 | 99.5  | 145 | 85  | 4.2 |
| FAE 200     | 206.5 | 118.5 | 193 | 105 | 4.2 |
| FAE 250     | 250.5 | 150.5 | 236 | 136 | 4.2 |
| FAE 310/350 | 288.4 | 188.8 | 275 | 175 | 4.2 |
| FAE 400     | 354.5 | 224.5 | 336 | 206 | 4.2 |

|  |                 |  |
|--|-----------------|--|
| Maßstab/<br>Scale:                     | -               |  |
| Zeichnungs-Nr. / Drawing-No.:          | 3K 5075.089.04  |  |
| Artikel / Article:                     | RCP - FAE       |  |
| Katalogzeichnung/<br>Catalogue drawing |                 |  |
| -                                      | -               | <br><b>BOPLA</b><br>A Phoenix Mecano Company |
| -                                      | -               |  |
| -                                      | -               |  |
| -                                      | -               |  |
| 2914                                   | 21.12.93        |  |
| 2787                                   | 23.02.93        |  |
| 2735                                   | 04.12.92        |  |
| A.Nr/<br>Alt-No.:                      | Datum/<br>Date: |  |
| DISK: 2 600 847                        |                 |  |
| Datum/Date: -                          |                 |  |