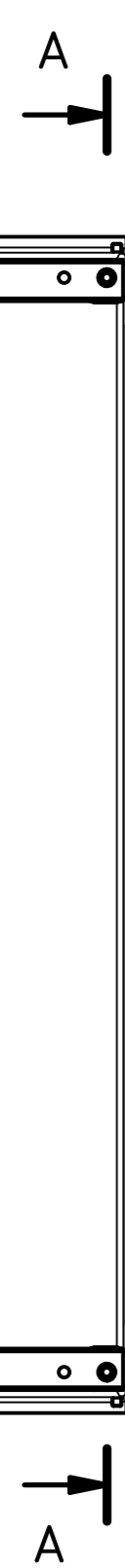
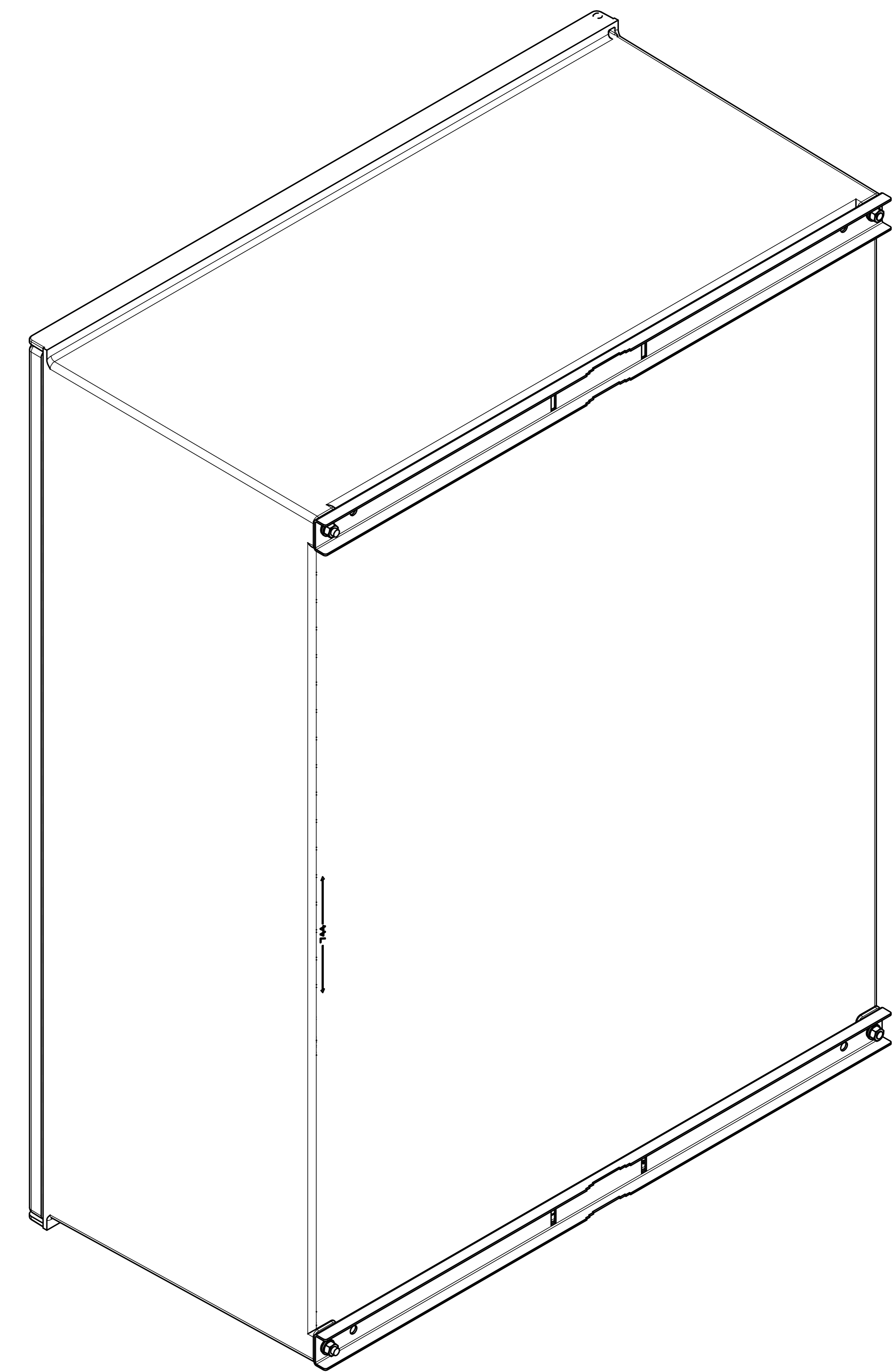
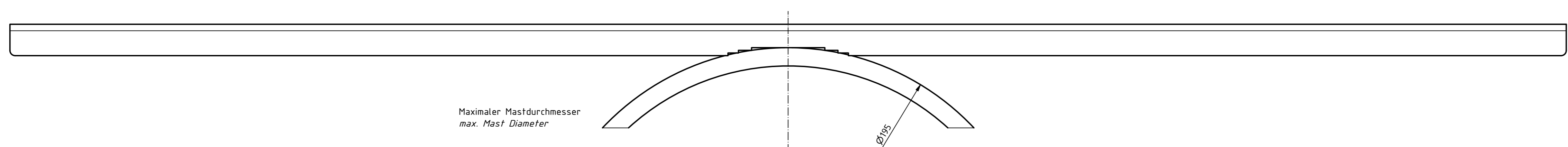
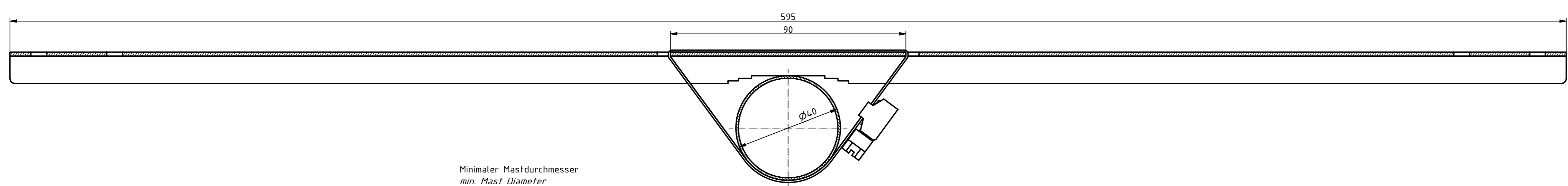
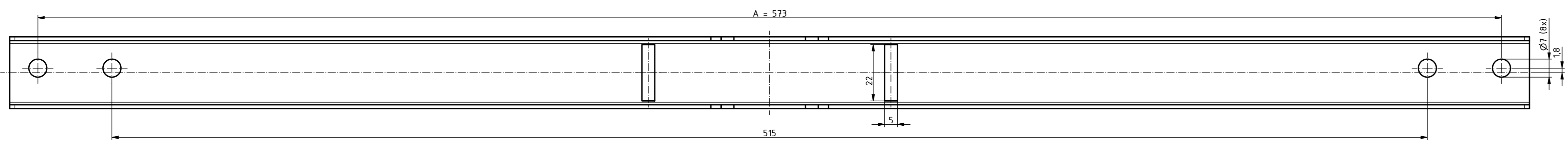
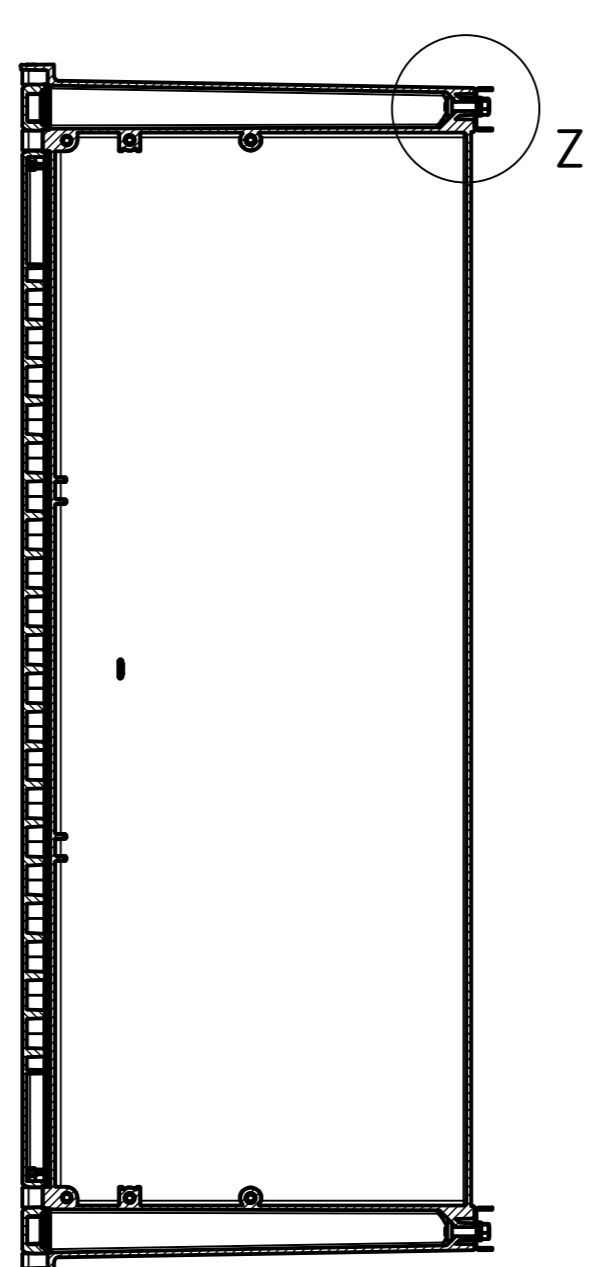


Anschraubposition / Screw-on position

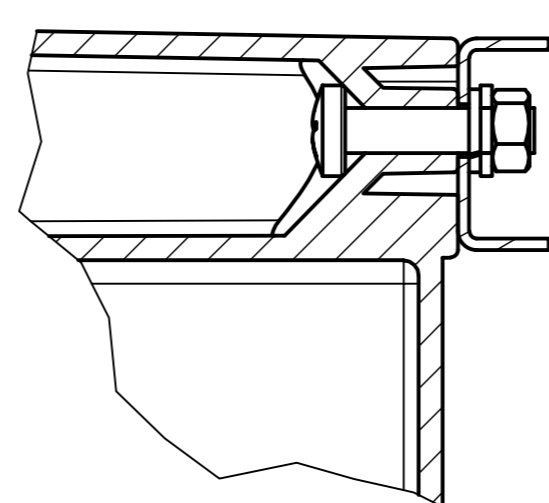
Model / model	Bohrabstand / drilling distance
PS 8637-T	A



A-A (1:5)



Z (1:1)



Maßstab / Scale: 1:1 (1:5)
 Zeichnungs-Nr. / Drawing-No.: OK 5460.059.01

Artikel / Article: Polysafe PS MH-060
 Katalogz./Catalogue draw.

Befestigungsauswahl / Fixing selection

Mastdurchmesser / Mast diameter	Befestigungsschelle / Fixing clamp
40mm - 70mm	MH S 30-90
70mm - 95mm	MH S 90-110
95mm - 115mm	MH S 110-130
115mm - 135mm	MH S 130-150
135mm - 155mm	MH S 150-170
155mm - 175mm	MH S 170-190
175mm - 195mm	MH S 190-210

Zeichnungs-Nr. / Drawing-No.	OK 5460.059.01
Artikel / Article	Polysafe PS MH-060
Katalogz./Catalogue draw.	
A Nr. / Part No.	
Datum / Date	24.04.2023.jdw
DISK:	
Datum / Date	28.04.2021 AH

"Schutzzeichen nach DIN ISO 9896 beschützen" "Protect your invention. In copyright, note DIN ISO 9896"