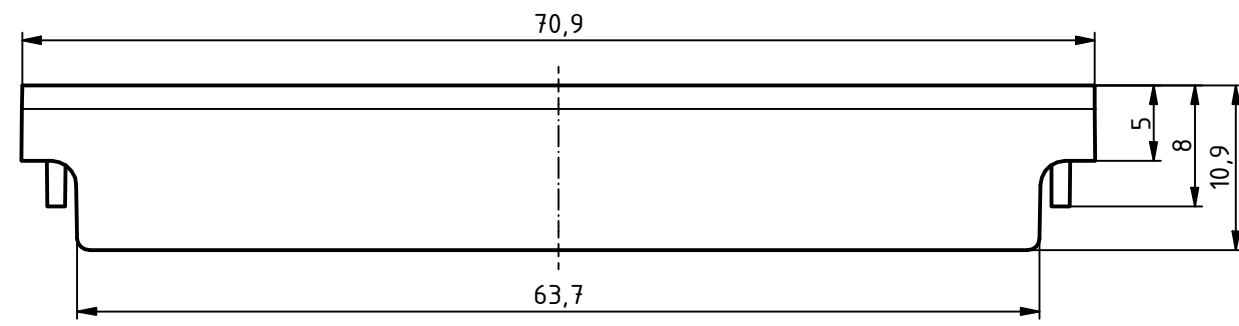
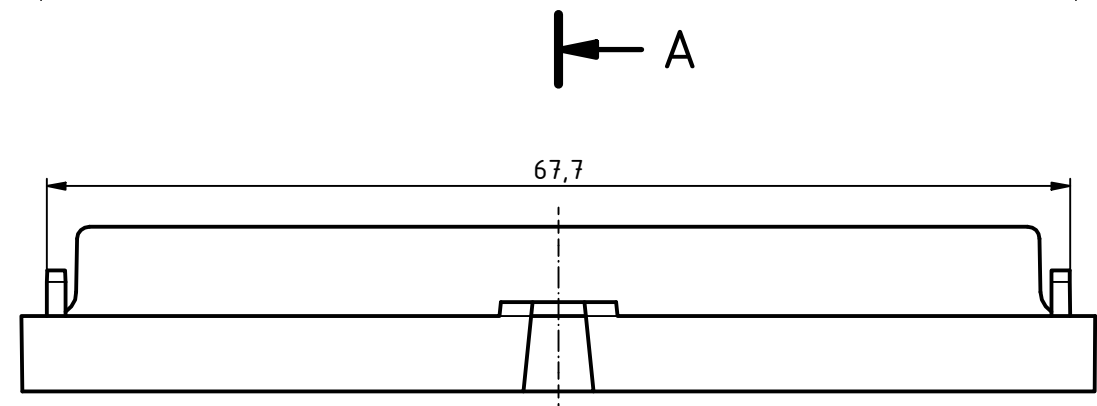
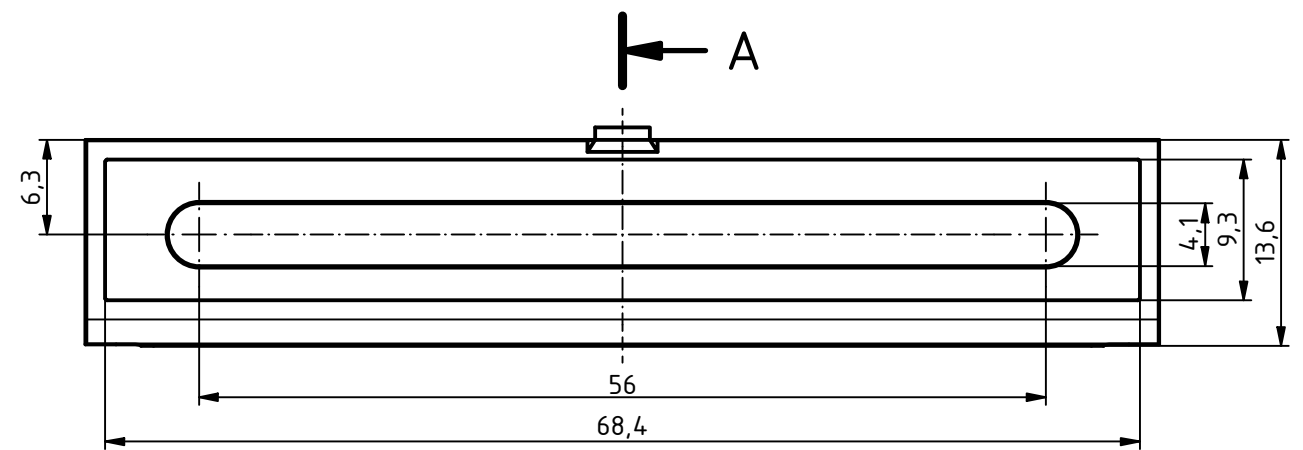
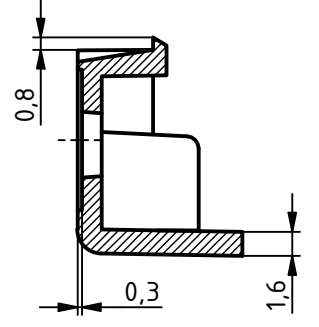


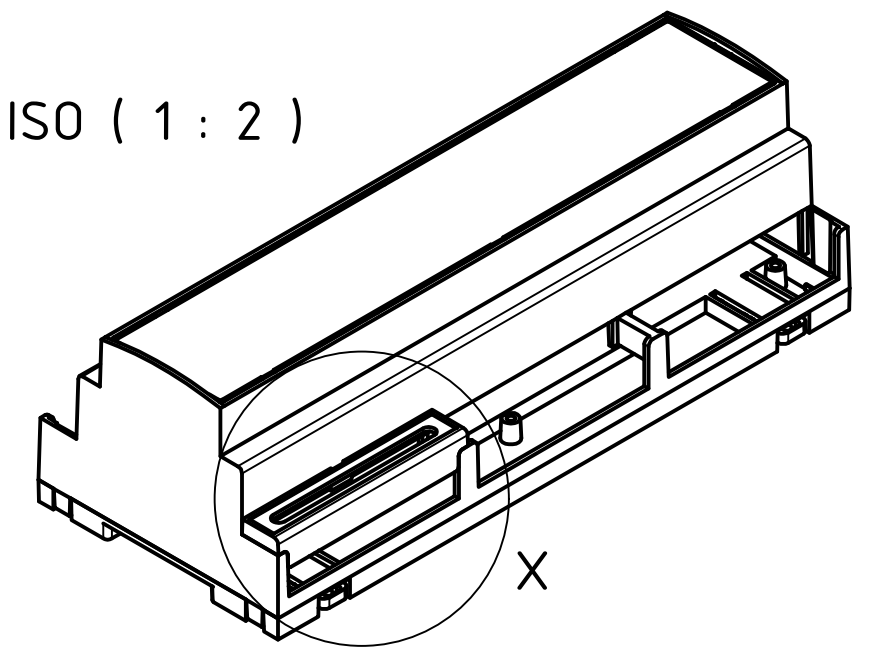
"Schutzvermerk nach DIN ISO 16016 beachten" "Please pay attention to copyright note DIN ISO 16016"



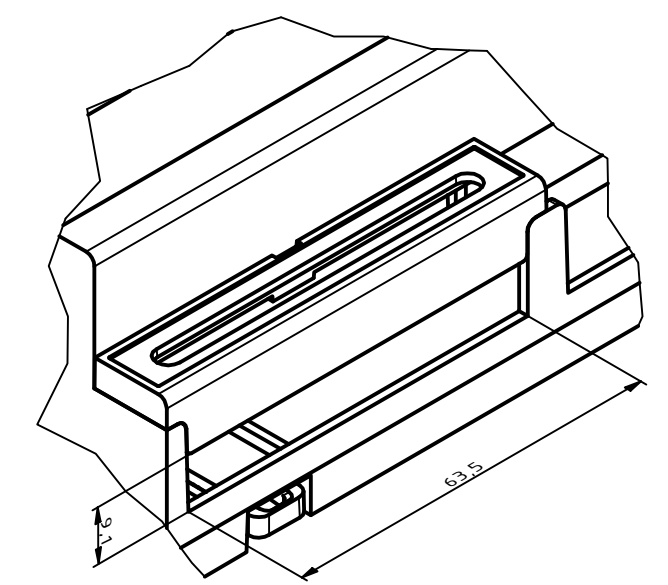
A-A (2 : 1)



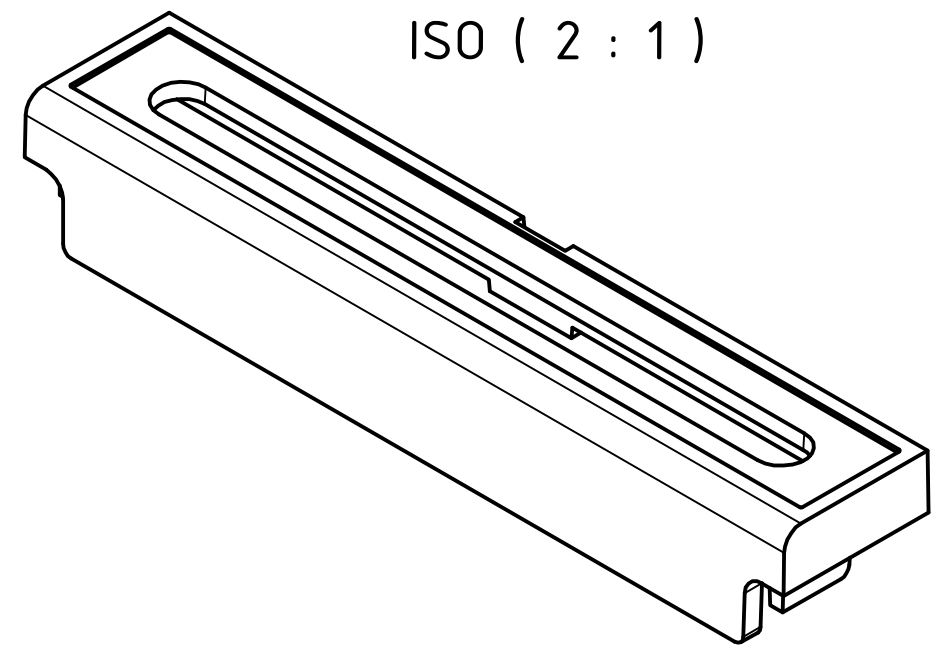
ISO (1 : 2)



X (1 : 1)



ISO (2 : 1)



Maßstab/ Scale:		2:1 (1:1, 1:2)	
Zeichnungs-Nr. / Drawing-No.: 3K 5465.025.01			
Artikel / Article: CNC KA 70.0-0 Klemmenabd. oben offen CNC KA 70.0-0 Terminal Cover open at the top Katalogzg./Catalogue draw.			
Ä.Nr/ Alt.No:	Datum/ Date:		
DISK: 2604487.idw		Datum/Date: 11.11.2020 JL	
		 BOPLA A Phoenix Mecano Company	