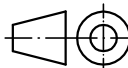



| | | |
|--|-----------------|---|
| Maßstab/ Scale: 1:1 | |  |
| Zeichnungs-Nr. / Drawing-No.: 3K 5300.284.01 | | |
| Artikel / Article: ART 555 KO Katalogzeichnung/ Catalogue drawing | | |
| - | - |  BOPLA A Phoenix Mecano Company |
| - | - | |
| - | - | |
| - | - | |
| - | - | |
| A.Nr/ Alt-No.: | Datum/ Date: | |
| DISK: 2 802 650 | | |
| Datum/Date: 30.11.05 KH | | |