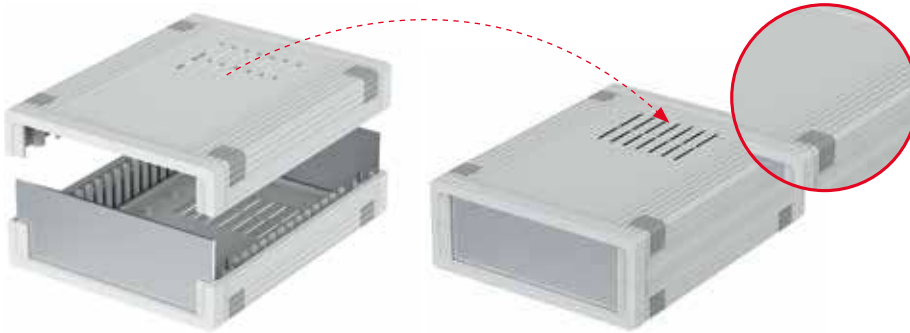


The product advantages



The classic desktop enclosure system consists of two plastic half-shells and front panels in different materials. Ventilation of the interior of the version fitted with air vents can be optimised by turning the half-shells against each other.



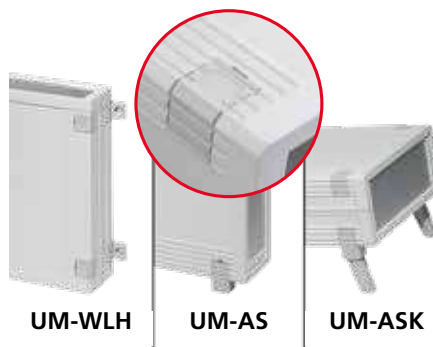
All enclosure parts are screwed together using high-quality brass thread inserts. This ensures permanently reliable opening and closing.



The enclosure height can be increased with optional extension sets by 15.24 mm (3 HP) or 45.72 mm (9 HP), as required. Combining these extension sets allows gradations of 15.24 mm (3 HP) to be achieved.



Many slots for PCBs (horizontal and vertical) are available in the interior.



The enclosure screws are concealed under snap-on covers. These can be replaced by the optionally available wall brackets tip-up or collapsible feet.



Quick-Finder:
www.bopla.de/55

Examples of use





BOPLA

A Phoenix Mecano Company

Ultramas



Colour:

Enclosure:

● Light grey, similar to RAL 7035

Screw covers, tabs, feet:

● Agate grey, similar to RAL 7038

Special colours on request

Protection class:

Closed: IP40 / DIN EN 60529

With ventilation slots: IP30 / DIN EN 60529

Material:

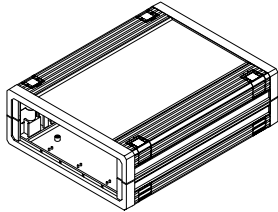
Enclosure: ABS

For details see technical information.

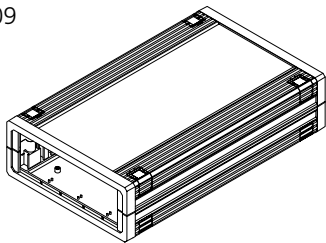


Enclosure sizes

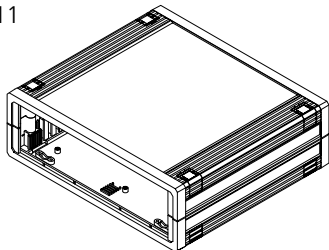
UM 32009



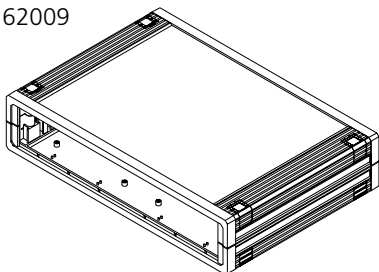
UM 32609



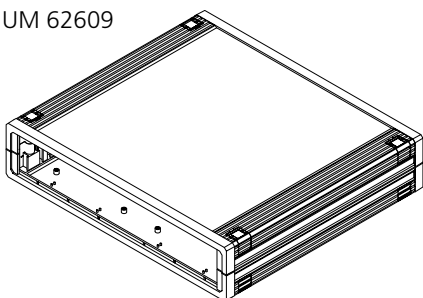
UM 52011



UM 62009

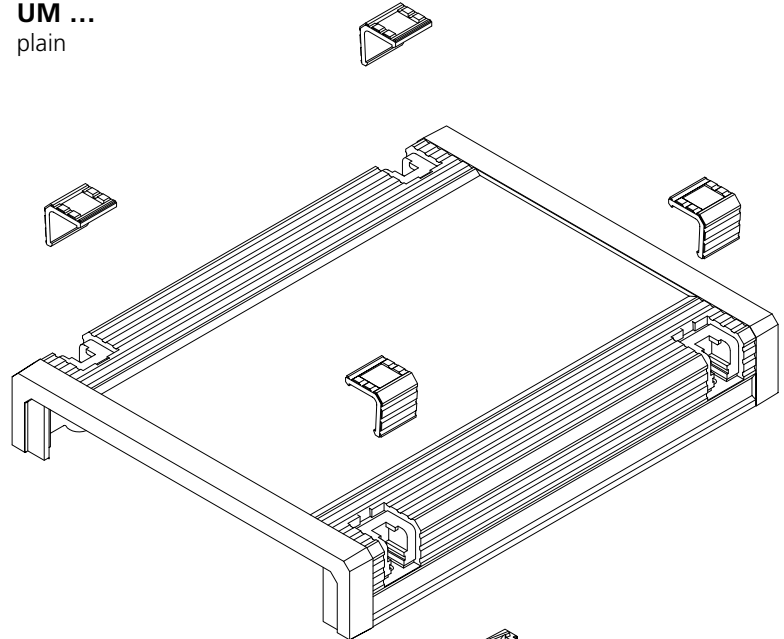


UM 62609

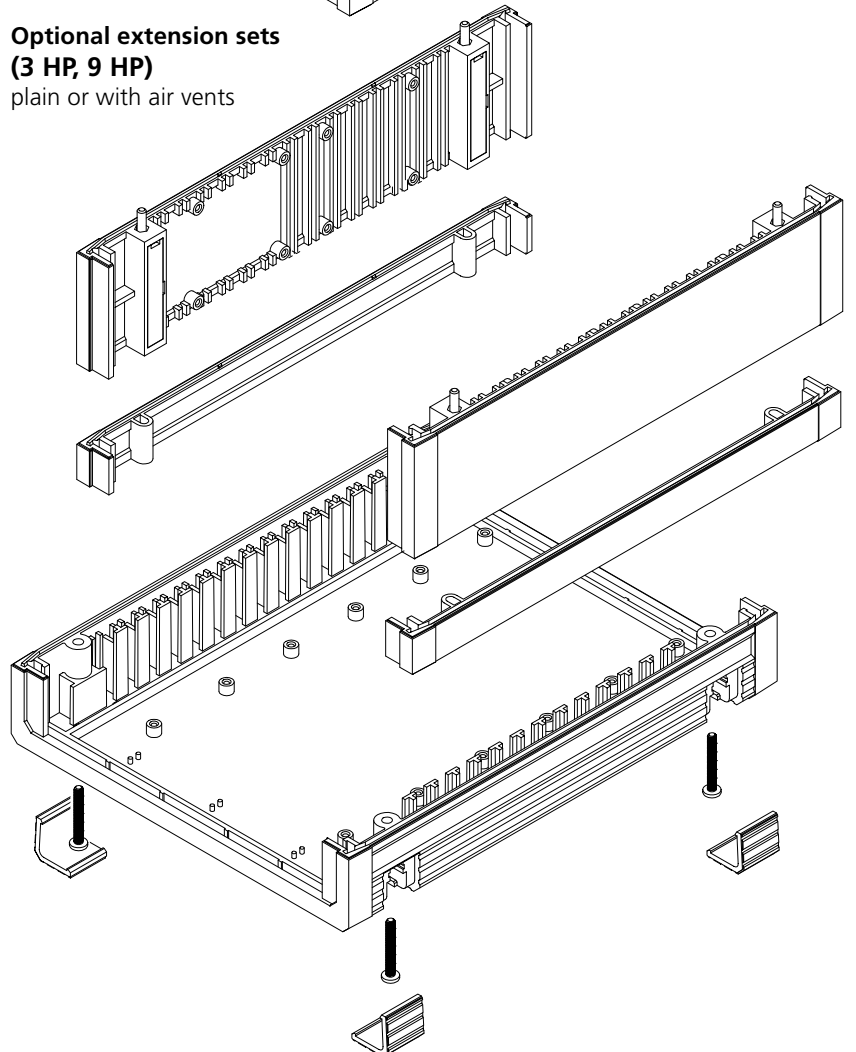


Design types

UM ...
plain



Optional extension sets
(3 HP, 9 HP)
plain or with air vents

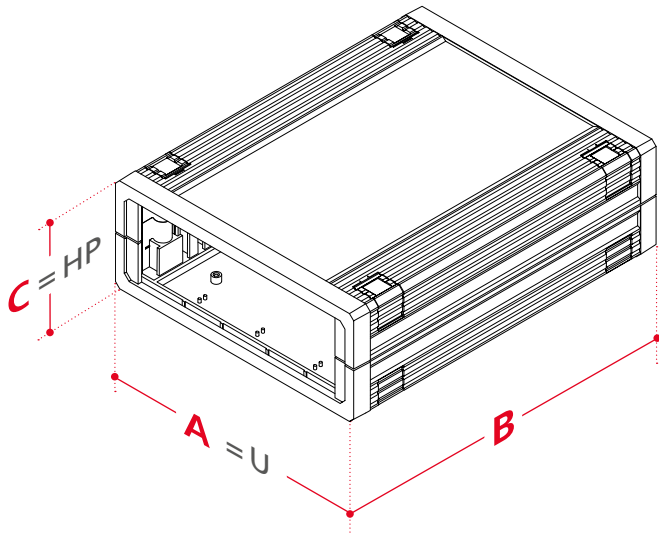




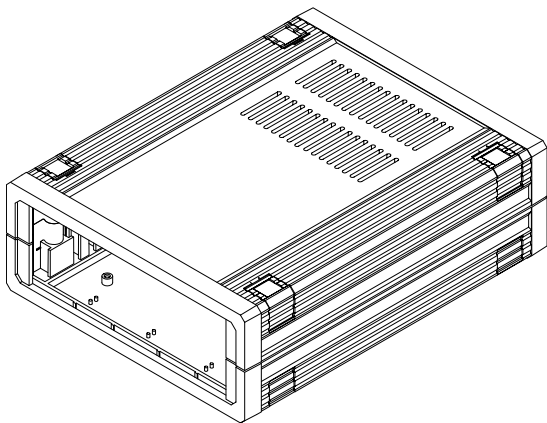
BOPLA

A Phoenix Mecano Company

Ultramas



Variant with ventilation



Dimensions

Model	A	B	C
UM 32009 (L)	157.5	198.9	62.2
UM 32609 (L)	157.5	258.9	62.2
UM 52011 (L)	224.2	198.9	72.4
UM 62009 (L)	290.9	198.9	62.2
UM 62609 (L)	290.9	258.9	62.2

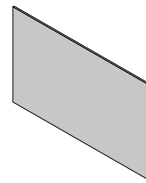
Accessories



Tip-up foot set



Tip-up foot set, collapsible



Front panels in different versions



Wall brackets

Ultramas

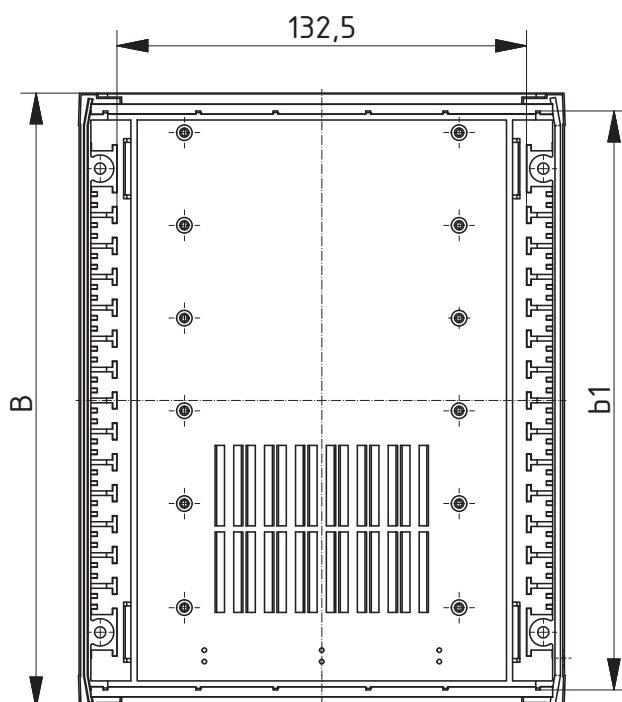
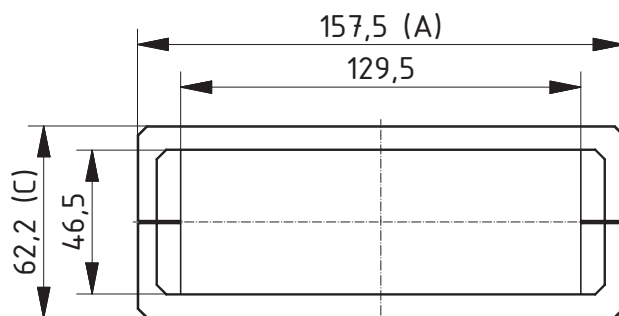
Closed enclosure



Enclosure, plain

Model	Order no.	A	B	C	b1	U	HP
UM 32009	55320000	157.5	198.9	62.2	187.3	3	9
UM 32609	55326000	157.5	258.9	62.2	247.3	3	9

Scope Of Delivery: 2 half-shells, 8 covers, 4 rubber feet, 4 screws



Z-2803197

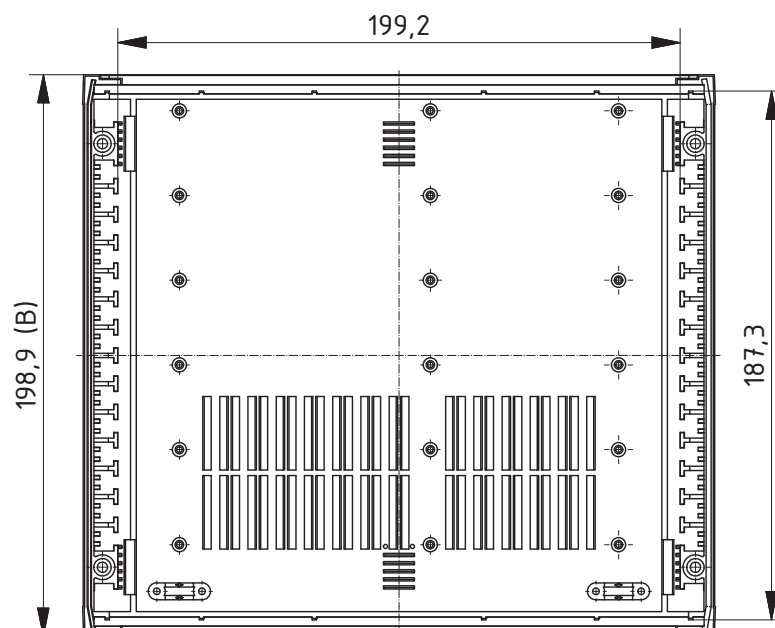
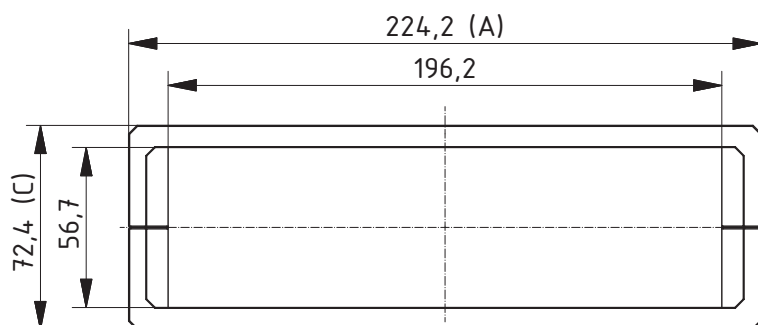
Ultramas

Closed enclosure

Enclosure, plain

Model	Order no.	A	B	C	U	HP
UM 52011	55520000	224.2	198.9	72.4	4.5	11

Scope Of Delivery: 2 half-shells, 8 covers, 4 rubber feet, 4 screws



Z-2803198

Ultramas

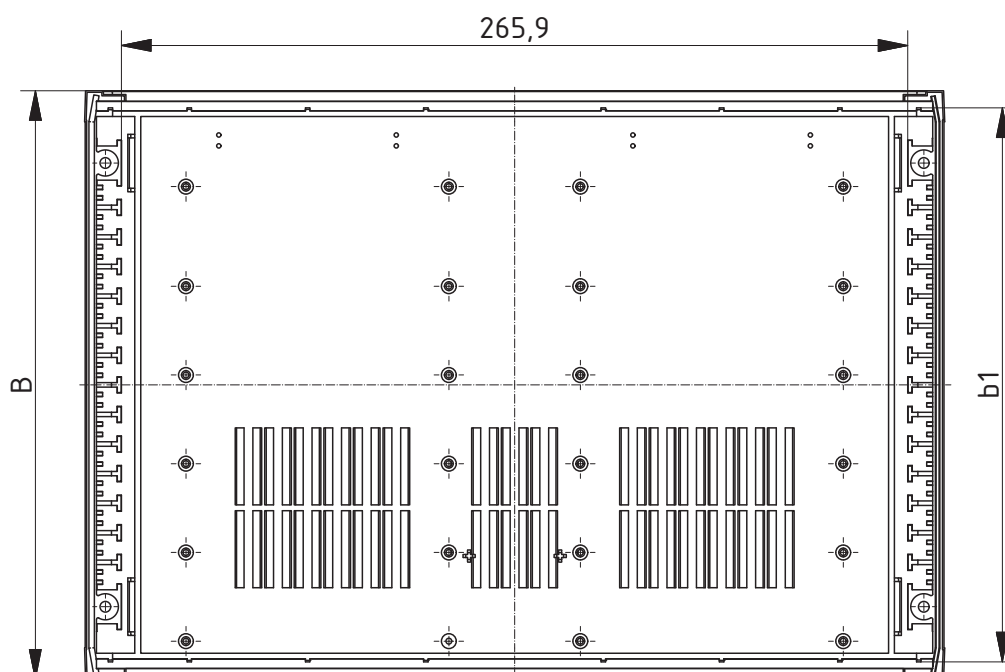
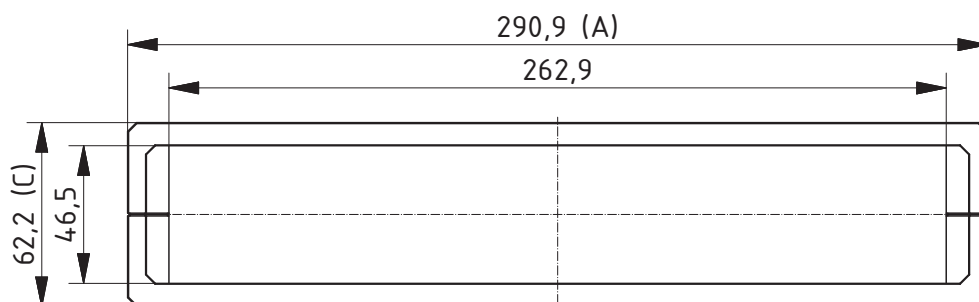
Closed enclosure



Enclosure, plain

Model	Order no.	A	B	C	b1	U	HP
UM 62009	55620000	290.9	198.9	62.2	187.3	6	9
UM 62609	55626000	290.9	258.9	62.2	247.3	6	9

Scope Of Delivery: 2 half-shells, 8 covers, 4 rubber feet, 4 screws



Z-2803199

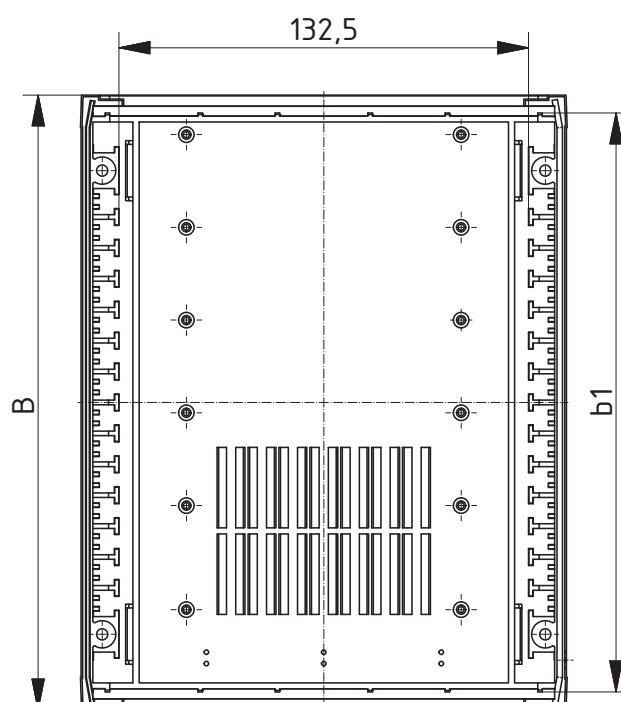
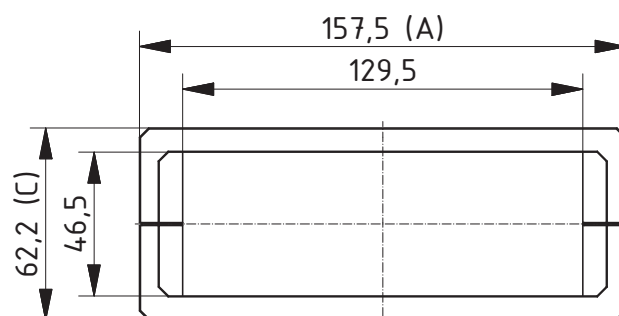
Ultramas

Enclosure with air vents

Enclosure with air vents in the lid and base

Model	Order no.	A	B	C	b1	U	HP
UM 32009 L	55320010	157.5	198.9	62.2	187.3	3	9
UM 32609 L	55326010	157.5	258.9	62.2	247.3	3	9

Scope Of Delivery: 2 half-shells, 8 covers, 4 rubber feet, 4 screws



Z-2803197

Ultramas

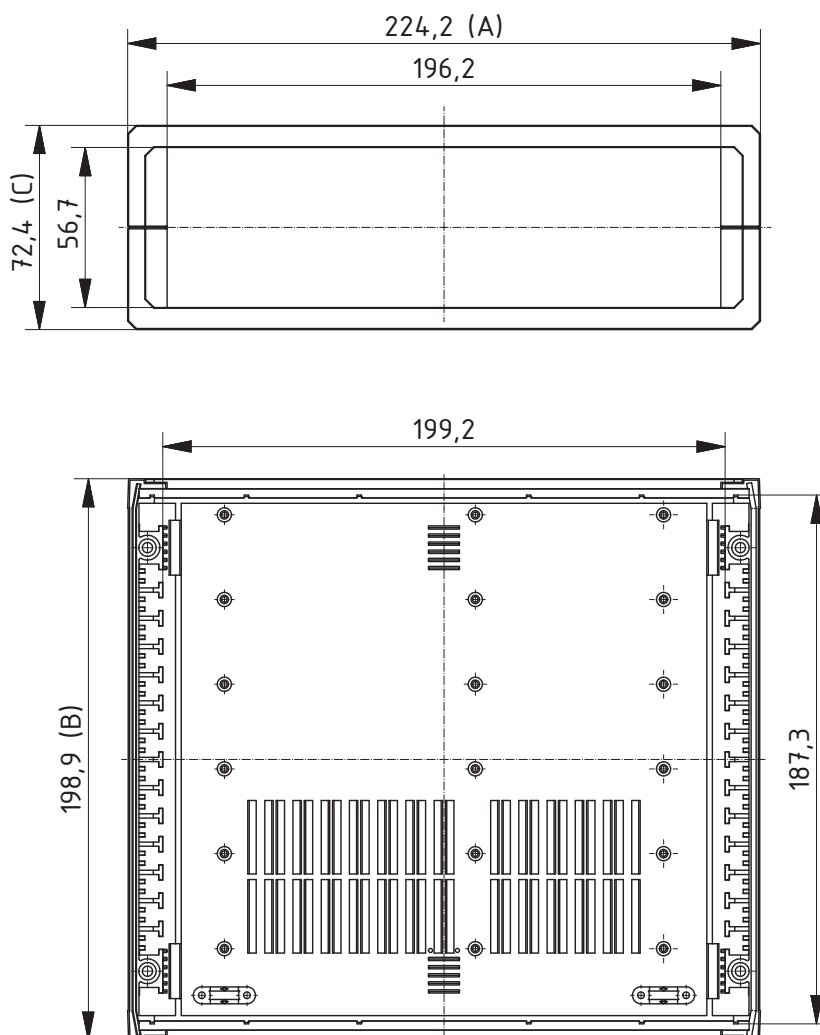
Enclosure with air vents



Enclosure with air vents in the lid and base

Model	Order no.	A	B	C	U	HP
UM 52011 L	55520020	224.2	198.9	72.4	4.5	11

Scope Of Delivery: 2 half-shells, 8 covers, 4 rubber feet, 4 screws



Z-2803198

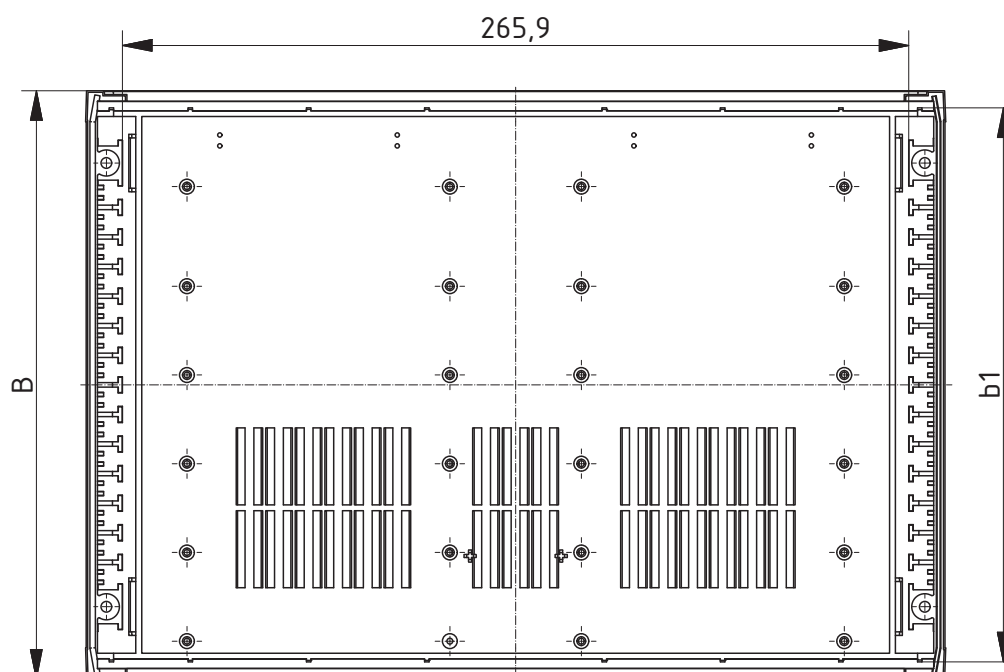
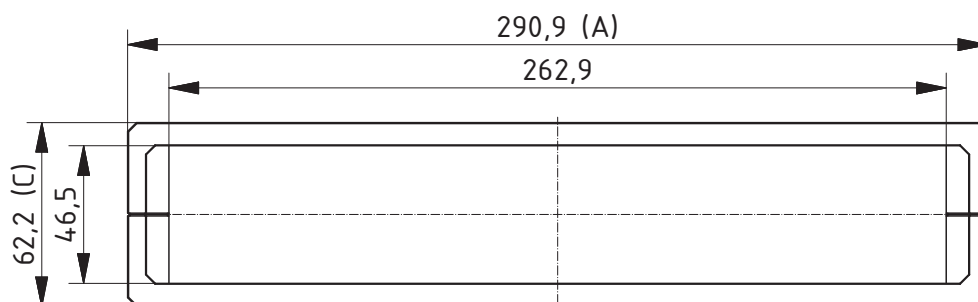
Ultramas

Enclosure with air vents

Enclosure with air vents in the lid and base

Model	Order no.	A	B	C	b1	U	HP
UM 62009 L	55620010	290.9	198.9	62.2	187.3	6	9
UM 62609 L	55626010	290.9	258.9	62.2	247.3	6	9

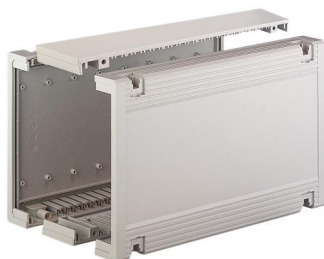
Scope Of Delivery: 2 half-shells, 8 covers, 4 rubber feet, 4 screws



Z-2803199

Ultramas

Extension sets



Extension set, plain, with air vents (L), 3 HP / 9 HP

Model	Order no.	Note
AB 02003	56020500	3 HP; For UM 32009(L), 62009(L), 52011(L)**
AB 02009	56020000	9 HP; For UM 32009(L), 52011(L), 62009(L)
AB 02009 L	56020010	9 HP; For UM 32009(L), 52011(L), 62009(L)
AB 02603	56026500	3 HP; For UM 32609(L), 62609(L)
AB 02609	56026000	9 HP; For UM 32609(L), 62609(L)
AB 02609 L	56026010	9 HP; For UM 32609(L), 62609(L)

Scope Of Delivery: 2 extension units, fitting material

Selection table of extension sets and front panels

Encl. height	Number of extension sets		Front panels to be used
	AB 02__03	AB 02__09(L)	
46.5	-	-	FP(K) 30009, FP(K) 60009
56.7	-	-	FP(K) 50011
61.7	1	-	FP(K) 30012, FP(K) 60012
92.2	-	1	FP(K) 30018, FP(K) 60018
102.4	-	1	FP(K) 50020
107.5	1	1	FP(K) 30021, FP(K) 60021
138.0	-	2	FP(K) 30027, FP(K) 60027
148.1	-	2	FP(K) 50029
153.2	1	2	FP(K) 30030, FP(K) 60030
183.7	-	3	FP(K) 30036, FP(K) 60036

Ultramas

Front panel

Front panels, 2 mm, natural-coloured anodised aluminium

Model	Order no.	Note
FP 30009	56030900	For UM 3..09
FP 30012	56031200	For UM 3..09 + 1x AB 02.03
FP 30018	56031800	For UM 3..09 + 1x AB 02.09 (L) and for UMP 32018 (FP)
FP 30021	56032100	For UM 3..09 + 1x AB 02.03 + 1x AB 02.09 (L)
FP 60018	56061800	For UM 6..09 + 1x AB 02.09 (L) and for UMP 62018 (FP)
FP 30027	56032700	For UM 3..09 + 2x AB 02.09 (L)
FP 30030	56033000*	For UM 3..09 + 1x AB 02.03 + 2x AB 02.09 (L)
FP 30036	56033600	For UM 3..09 +3x AB 02.09 (L)
FP 50011	56051100	For UM 52011
FP 50020	56052000	For UM 52011 + 1x AB 02009 (L)
FP 50029	56052900	For UM 52011 + 2x AB 02009 (L)
FP 60009	56060900	For UM 6..09
FP 60012	56061200	For UM 6..09 + 1x AB 02.03
FP 60021	56062100	For UM 6..09 + 1x AB 02.03 + 1x AB 02.09 (L)
FP 60027	56062700	For UM 6..09 + 2x AB 02.09 (L)
FP 60030	56063000	For UM 6..09 + 1x AB 02.03 + 2x AB 02.09 (L)
FP 60036	56063600	For UM 6..09 + 3x AB 02.09 (L)

Scope Of Delivery: 1 front panel

Front panels, ABS, light grey, similar to RAL 7035, embossed on one side

Model	Order no.	Note
FPK 30009	56030910	For UM 3..09
FPK 30012	56031210	For UM 3..09 + 1x AB 02.03
FPK 30018	56031810	For UM 3..09 + 1x AB 02.09 (L) and for UMP 32018 (FP)
FPK 30021	56032110	For UM 3..09 + 1x AB 02.03 + 1x AB 02.09 (L)
FPK 60018	56061810	For UM 6..09 + 1x AB 02.09 (L) and for UMP 62018 (FP)
FPK 30027	56032710	For UM 3..09 + 2x AB 02.09 (L)
FPK 30030	56033010*	For UM 3..09 + 1x AB 02.03 + 2x AB 02.09 (L)
FPK 30036	56033610	For UM 3..09 +3x AB 02.09 (L)
FPK 50011	56051110	For UM 52011
FPK 50020	56052010	For UM 52011 + 1x AB 02009 (L)
FPK 50029	56052910	For UM 52011 + 2x AB 02009 (L)
FPK 60009	56060910	For UM 6..09
FPK 60012	56061210	For UM 6..09 + 1x AB 02.03
FPK 60021	56062110	For UM 6..09 + 1x AB 02.03 + 1x AB 02.09 (L)
FPK 60027	56062710	For UM 6..09 + 2x AB 02.09 (L)
FPK 60030	56063010	For UM 6..09 + 1x AB 02.03 + 2x AB 02.09 (L)
FPK 60036	56063610	For UM 6..09 + 3x AB 02.09 (L)

Scope Of Delivery: 1 front panel

Ultramas

Accessories



Raised foot set

Model	Order no.
UM-AS	56012000

Scope Of Delivery: 4 fixed feet.

Notes: For horizontal or vertical use, as required.



Tip-up foot set, collapsible

Model	Order no.	Colour
UM-ASK	56012100	Agate grey

Scope Of Delivery: Set-up foot set (2 fixed and 2 hinged feet)

Notes: For horizontal or vertical use, as required.



Wall brackets

Model	Order no.	Colour
UM-WLH	56002000	Agate grey

Scope Of Delivery: 4 wall brackets

Notes: The wall brackets can be used to fit the enclosure flat against the wall. Fitting is by means of insertion of the intermediate piece and screwing-on of the bracket. This does not affect the enclosure screwing system.



Connection brackets

Model	Order no.	Colour
UM-VHH	56002200*	Agate grey

Scope Of Delivery: 4 connecting brackets, fitting material



BOPLA

A Phoenix Mecano Company