

The product advantages



Euromas X adds new formats and functions to the classic EUROMAS range. Available in ABS and polycarbonate material variants.



PC variants with an injection-moulded seal provide protection class IP 66/68; ABS IP65.



Quick-Finder:
www.bopla.de/07



Numerous designs are equipped with directly moulded-on wall brackets.



Euromas X enclosures have a recessed area for fitting membrane keypads or display screens.



The lid screws – secured against falling out – are screwed into high-quality threaded bushings.



Circuit boards can be securely fixed in the base by means of screw domes.





BOPLA

A Phoenix Mecano Company

Euromas X



Colour:

● Light grey, similar to RAL 7035

Special colours on request

Protection class:

PC variants: IP66 / IP68 (1.2 m - 2 h) DIN EN 60529

ABS variants: IP65 DIN EN 60529

Impact resistance: IK07 acc. to IEC 62262

Material:

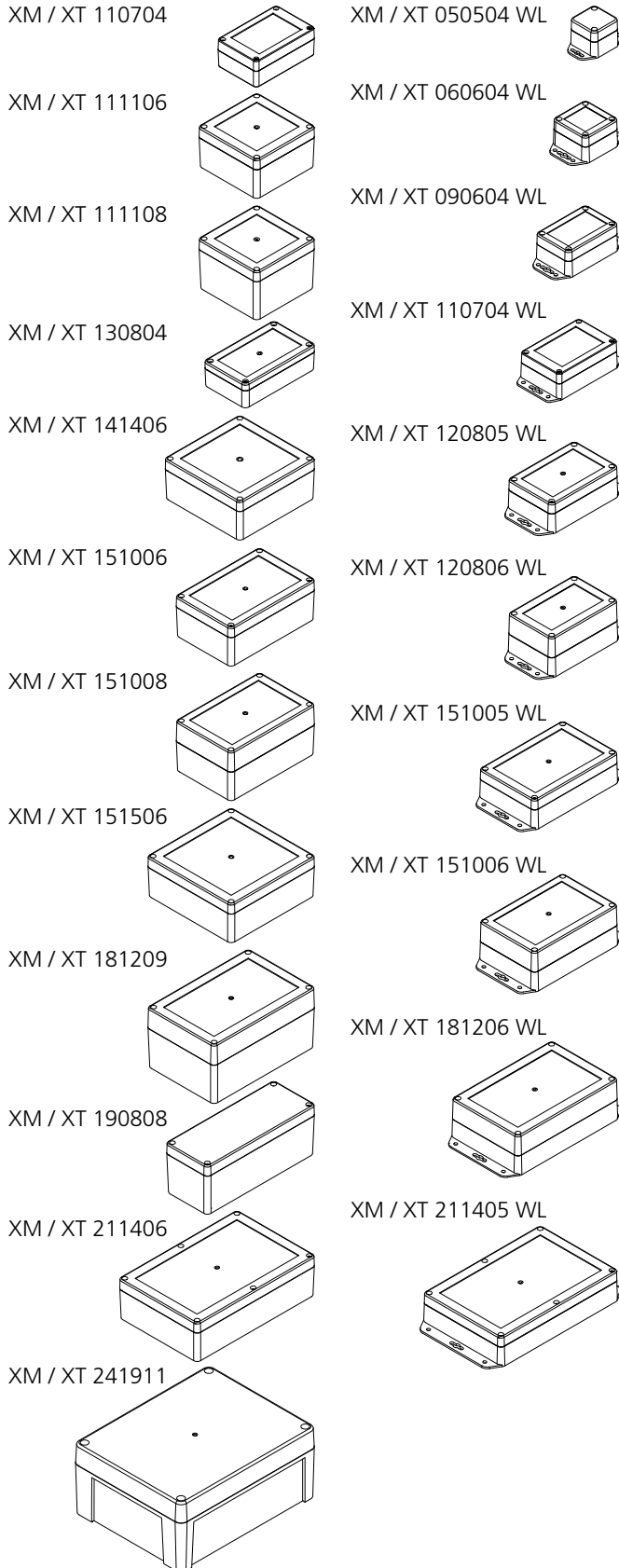
Enclosure: ABS (XT) or PC (XM)

Seal: CR bei ABS; PU for PC

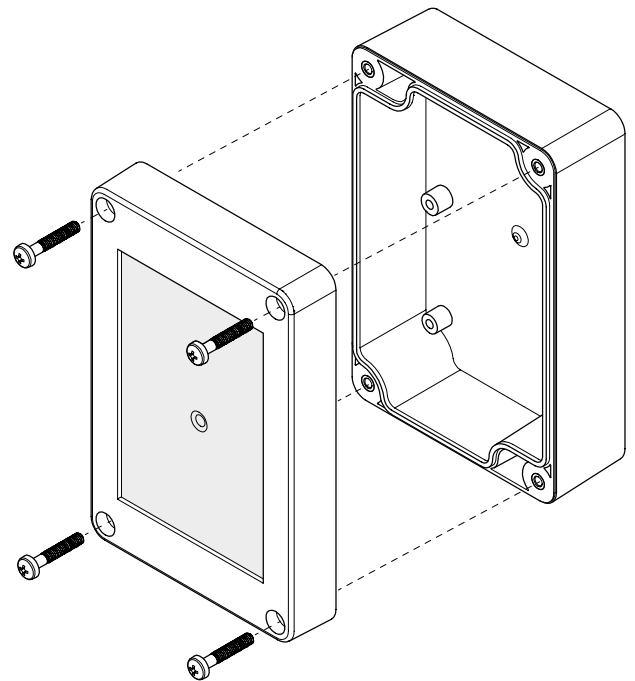
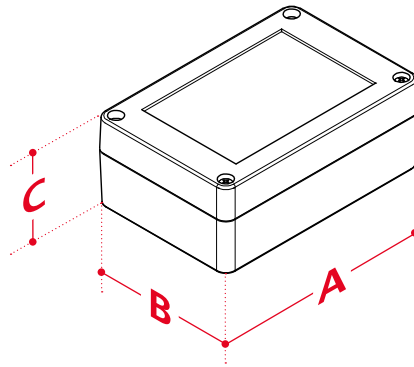
For details see "Technical information".



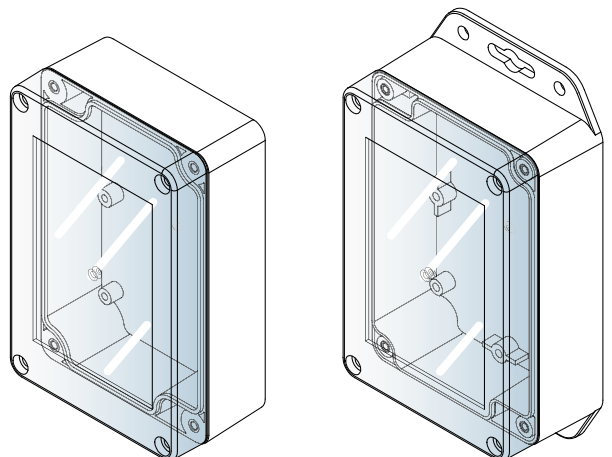
Enclosure designs



Design types



Crystal-clear cover (G)



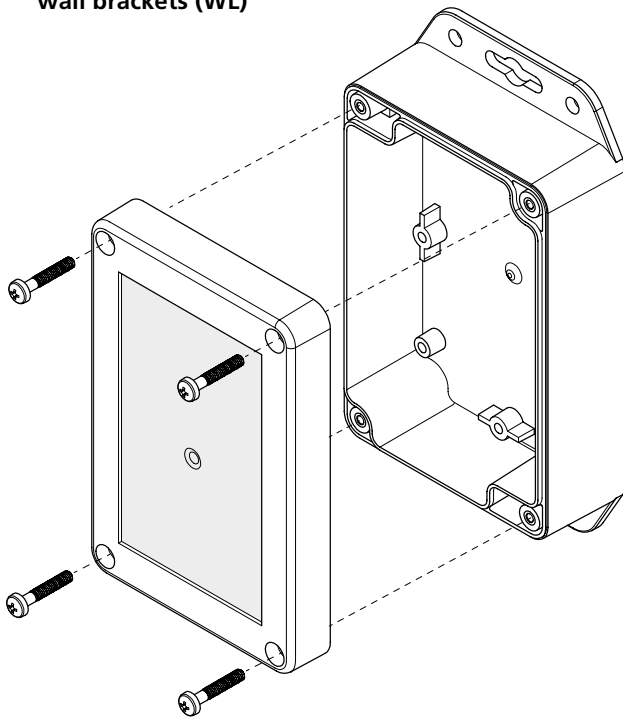


BOPLA

A Phoenix Mecano Company

Euromas X

Enclosure with moulded-on wall brackets (WL)



Dimensions

Model	A	B	C
XM (G) / XT 110704	105	70	40
XM (G) / XT 111106	105	105	60.1
XM (G) / XT 111108	104.8	104.8	74.7
XM (G) / XT 130804	125	75	37.2
XM (G) / XT 141406	134.7	134.7	60.1
XM (G) / XT 151006	150	100	60
XM (G) / XT 151008	150	100	75
XM (G) / XT 151506	149.9	149.9	60
XM (G) / XT 181209	180	120	90.3
XM (G) / XT 190808	191.8	75.1	75.3
XM (G) / XT 211406	209.7	139.8	60
XM (G) / XT 241911	240	191.3	105.6

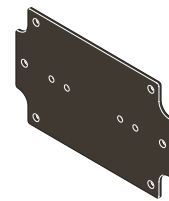
With wall brackets

XM (G) / XT 050504 WL	44.8	44.8	40.1
XM (G) / XT 060604 WL	60	60	40.1
XM (G) / XT 090604 WL	90	60	39.9
XM (G) / XT 110704 WL	105	70	40
XM (G) / XT 120805 WL	120	80	45.2
XM (G) / XT 120806 WL	120	80	60.2
XM (G) / XT 151005 WL	150	100	45
XM (G) / XT 151006 WL	150	100	60
XM (G) / XT 181206 WL	179.9	119.9	60.2
XM (G) / XT 211405 WL	209.7	139.8	45.1

Accessories



DIN rails
TH 15, TH 35



Mounting panels in different versions



Mast mounting

Euromas X

ABS, single-coloured



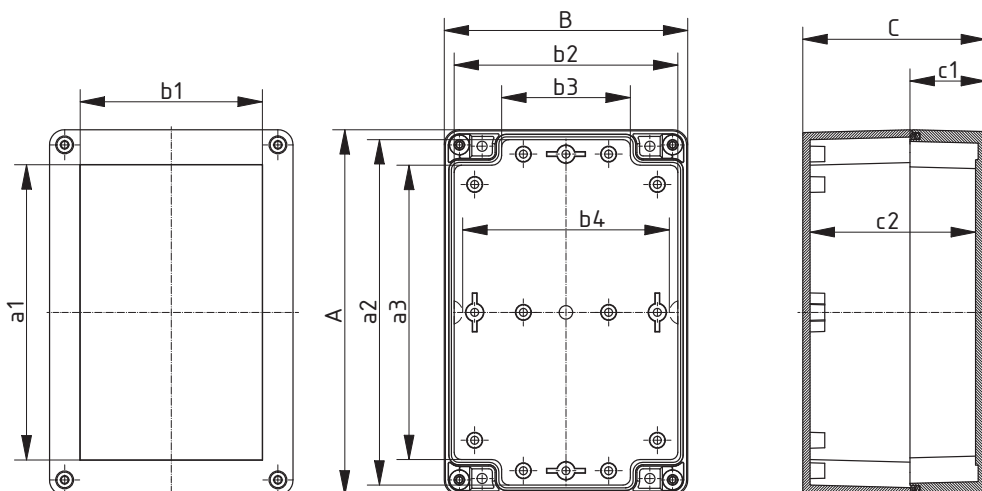
Enclosure, ABS

Model	Order no.	A	B	C	a1	a2	a3	b1	b2	b3	c1	c2	IP	IK
XT 060403 7035	07506043	60	40	30	-	53.9	35.3	-	33.9	15.3	16	24.2	66	07
XT 080805 7035	07508085	75	75	45	51.2	67.7	47.4	51.2	69.4	37.1	16	37.9	66	07
XT 090906 7035	07509096	90	90	60	60.2	81.9	59.5	60.2	81.9	50.2	16	52.9	66	07
XT 090908 7035	07509098	90	90	75	60.2	81.9	59.5	60.2	81.9	50.2	31	67.9	66	07
XT 110704 7035	07511074	105	70	40	74	49.6	78.9	49.6	62.6	34.9	15	32.9	66	07
XT 111106 7035	07511116	105	105	60.1	74.5	96.8	75.8	74.5	96.8	57.8	15	53	66	07
XT 111108 7035	07511118	104.8	104.8	74.7	74.5	95.4	74.6	74.5	95.4	56.7	15	67.6	66	07
XT 111109 7035	07511119	104.8	92.5	89.8	75.1	56.7	95.5	75.1	95.5	73.3	31	82.6	66	07
XT 121208 7035	07512128	119.9	119.9	75	88.6	111.7	90.7	88.6	111.7	72.7	31.1	67.9	66	07
XT 130804 7035	07513084	125	75	37.2	97.2	117.8	97.8	51.2	67.8	38.8	10	30	66	07
XT 141406 7035	07514146	134.7	134.7	60.1	104.5	126.5	105.6	104.5	126.5	87.6	15	53	66	07
XT 151006 7035	07515106	150	100	60	121.7	141.8	120.8	75.3	91.8	52.8	15	52.9	66	07
XT 151008 7035	07515108	150	100	75	121.2	141.8	120.8	74.8	91.8	52.8	30	67.9	66	07
XT 151506 7035	07515156	149.9	149.9	60	119.2	141.7	120.7	119.2	141.7	102.7	15	52.9	66	07
XT 160806 7035	07516086	160	80	60	129.5	151.9	131.9	49.5	71.9	32.9	15.7	52.9	66	07
XT 181209 7035	07518129	180	120	90.3	149	171	150	88.7	111	72	30.1	83.2	66	07
XT 190808 7035	07519088	191.8	75.1	75.3	-	182.8	162.6	-	66.1	27.9	15.1	69.3	66	07
XT 201008 7035	07520108	200	100	75	165.2	191.9	171.9	68.7	73.9	-	31	67.9	66	07
XT 211406 7035	07521146	209.7	139.8	60	179	201.5	180.6	109	131.6	92.6	15.1	52.9	66	07
XT 211408 7035	07521148	209.7	139.8	75	109.9	201.5	180.55	179.9	111.8	92.6	31	67.9	66	07
XT 241208 7035	07524128	240.2	120.1	75	88.88	232.1	212.1	208.9	94	72.9	75	68	66	07
XT 241906 7035	07524196	240	191.3	61.7	-	227.9	191.6	-	179.2	116.9	32.2	54.2	66	07
XT 241911 7035	07524191	240	191.3	105.6	-	225.6	189.3	-	176.9	114.6	29.6	98.4	66	07

Scope Of Delivery:

Lid and base, 4 screws (XM / XT 2114.. = 6 screws)

Notes: The dimensions are approximate values. The exact values can be found in the respective product drawing.



Z-2504-703

Euromas X

PC, single-coloured



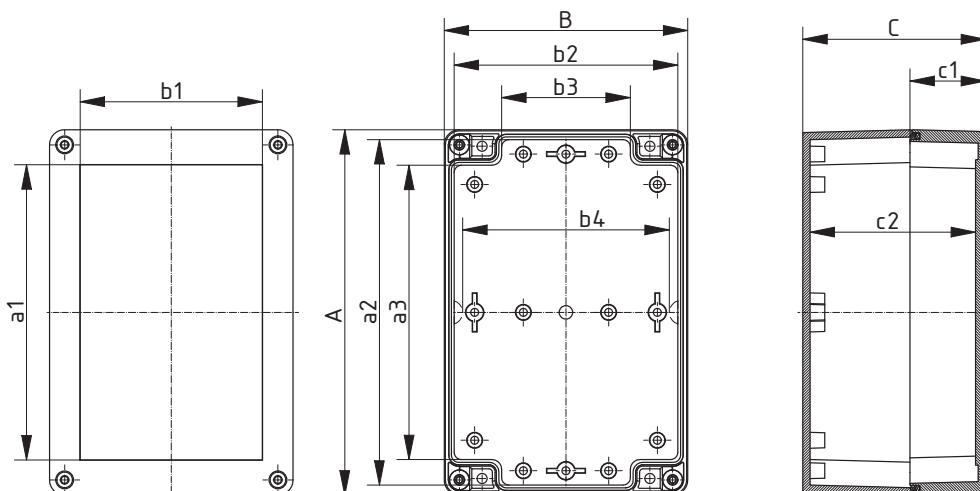
Enclosure, polycarbonate

Model	Order no.	A	B	C	a1	a2	a3	b1	b2	b3	c1	c2	IP	IK
XM 060403 7035	07306043	60	40	30	-	53.9	35.3	-	33.9	15.3	16	24.2	66	07
XM 080805 7035	07308085	75	75	45	51.2	67.7	47.4	51.2	69.4	37.1	16	37.9	66	07
XM 090906 7035	07309096	90	90	60	60.2	81.9	59.5	60.2	81.9	50.2	16	52.9	66	07
XM 090908 7035	07309098	90	90	75	60.2	81.9	59.5	60.2	81.9	50.2	31	67.9	66	07
XM 110704 7035	07311074	105	70	40	74	97.6	78.9	49.6	62.6	34.9	15	32.9	66	07
XM 111106 7035	07311116	105	105	60.1	74.5	96.8	75.8	74.5	96.8	57.8	15	53	66	07
XM 111108 7035	07311118	104.8	104.8	74.7	74.5	95.4	74.6	74.5	95.4	56.7	15	67.6	66	07
XM 111109 7035	07311119	104.8	92.5	89.8	75.1	56.7	95.5	75.1	95.5	73.3	31	82.6	66	07
XM 121208 7035	07312128	119.9	119.9	75	88.6	111.7	90.7	88.6	111.7	72.7	31.1	67.9	66	07
XM 130804 7035	07313084	125	75	37.2	97.2	117.8	97.8	51.2	67.8	38.8	10	30	66	07
XM 141406 7035	07314146	134.7	134.7	60.1	104.5	126.5	105.6	104.5	126.5	87.6	15	53	66	07
XM 151006 7035	07315106	150	100	60	121.7	141.8	120.8	75.3	91.8	52.8	15	52.9	66	07
XM 151008 7035	07315108	150	100	75	121.2	141.8	120.8	74.8	91.8	52.8	30	67.9	66	07
XM 151506 7035	07315156	149.9	149.9	60	119.2	141.7	120.7	-	141.7	102.7	15	52.9	66	07
XM 160806 7035	07316086	160	80	60	129.5	151.9	131.9	49.5	71.9	32.9	15.7	52.9	66	07
XM 181209 7035	07318129	180	120	90.3	149	171	150	88.7	111	72	30.1	83.2	66	07
XM 190808 7035	07319088	191.8	75.1	75.3	-	182.8	162.6	-	66.1	27.9	15.1	69.3	66	07
XM 201008 7035	07320108	200	100	75	165.2	191.9	171.9	68.7	73.9	-	31	67.9	66	07
XM 211406 7035	07321146	209.7	139.8	60	179	201.5	180.6	109	131.6	92.6	15.1	52.9	66	07
XM 211408 7035	07321148	209.7	139.8	75	109.9	201.5	180.55	179.9	111.8	92.6	31	67.9	66	07
XM 241208 7035	07324128	240.2	120.1	75	88.88	232.1	212.1	208.9	94	72.9	75	68	66	07
XM 241906 7035	07324196	240	191.3	61.7	-	227.9	191.6	-	179.2	116.9	32.2	54.2	66	07
XM 241911 7035	07324191	240	191.3	105.6	-	225.6	189.3	-	176.9	114.6	29.6	98.4	66	07

Scope Of Delivery:

Lid and base, 4 screws (XM / XT 2114.. = 6 screws)

Notes: The dimensions are approximate values. The exact values can be found in the respective product drawing.



Z-2504-703

Euromas X

PC, crystal-clear lid



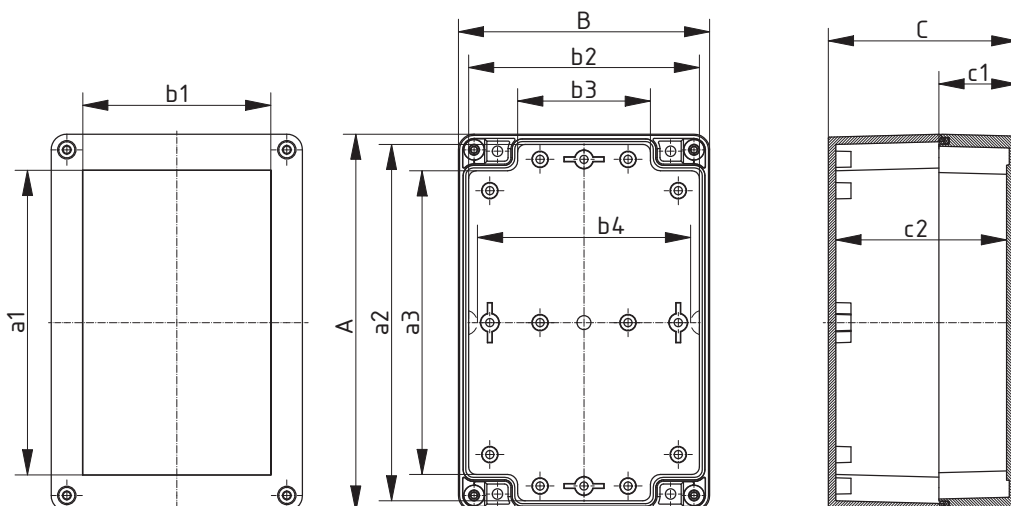
Enclosures, polycarbonate, crystal-clear lid

Model	Order no.	A	B	C	a1	a2	a3	b1	b2	b3	c1	c2	IP	IK
XM 060403 G 7035	07406043	60	40	30	-	53.9	35.3	-	33.9	15.3	16	24.2	66	07
XM 080805 G 7035	07408085	75	75	45	51.2	67.7	47.4	51.2	69.4	37.1	16	37.9	66	07
XM 090906 G 7035	07409096	90	90	60	60.2	81.9	59.5	60.2	81.9	50.2	16	52.9	66	07
XM 090908 G 7035	07409098	90	90	75	60.2	81.9	59.5	60.2	81.9	50.2	31	67.9	66	07
XM 110704 G 7035	07411074	105	70	40	74	97.6	78.9	49.6	62.6	34.9	15	32.9	66	07
XM 111106 G 7035	07411116	105	105	60.1	74.5	96.8	75.8	74.5	96.8	57.8	15	53	66	07
XM 111108 G 7035	07411118	104.8	104.8	74.7	74.5	95.4	74.6	74.5	95.4	56.7	15	67.6	66	07
XM 111109 G 7035	07411119	104.8	92.5	89.8	75.1	56.7	95.5	75.1	95.5	73.3	31	82.6	66	07
XM 121208 G 7035	07412128	119.9	119.9	75	88.6	111.7	90.7	88.6	111.7	72.7	31.1	67.9	66	07
XM 130804 G 7035	07413084	125	75	37.2	97.2	117.8	97.8	51.2	67.8	38.8	10	30	66	07
XM 141406 G 7035	07414146	134.7	134.7	60.1	104.5	126.5	105.6	104.5	126.5	87.6	15	53	66	07
XM 151006 G 7035	07415106	150	100	60	121.7	141.8	120.8	75.3	91.8	52.8	15	52.9	66	07
XM 151008 G 7035	07415108	150	100	75	121.2	141.8	120.8	74.8	91.8	52.8	30	67.9	66	07
XM 151506 G 7035	07415156	149.9	149.9	60	119.2	141.7	120.7	119.2	141.7	102.7	15	52.9	66	07
XM 160806 G 7035	07416086	160	80	60	129.5	151.9	131.9	49.5	71.9	32.9	15.7	52.9	66	07
XM 181209 G 7035	07418129	180	120	90.3	149	171	150	88.7	111	72	30.1	83.2	66	07
XM 190808 G 7035	07419088	191.8	75.1	75.3	-	182.8	162.6	-	66.1	27.9	15.1	69.3	66	07
XM 201008 G 7035	07420108	200	100	75	165.2	191.9	171.9	68.7	73.9	-	31	67.9	66	07
XM 211406 G 7035	07421146	209.7	139.8	60	179	201.5	180.6	109	131.6	92.6	15.1	52.9	66	07
XM 211408 G 7035	07421148	209.7	139.8	75	109.9	201.5	180.55	179.9	111.8	92.6	31	67.9	66	07
XM 241208 G 7035	07424128	240.2	120.1	75	88.88	232.1	212.1	208.9	94	72.9	75	68	66	07
XM 241906 G 7035	07424196	240	191.3	61.7	-	227.9	191.6	-	179.2	116.9	32.2	54.2	66	07
XM 241911 G 7035	07424191	240	191.3	105.6	-	225.6	189.3	-	176.9	114.6	29.6	98.4	66	07

Scope Of Delivery:

Lid and base, 4 screws (XM / XT 2114.. = 6 screws)

Notes: The dimensions are approximate values. The exact values can be found in the respective product drawing.



Z-2504703

Euromas X

ABS, single colour, with wall brackets



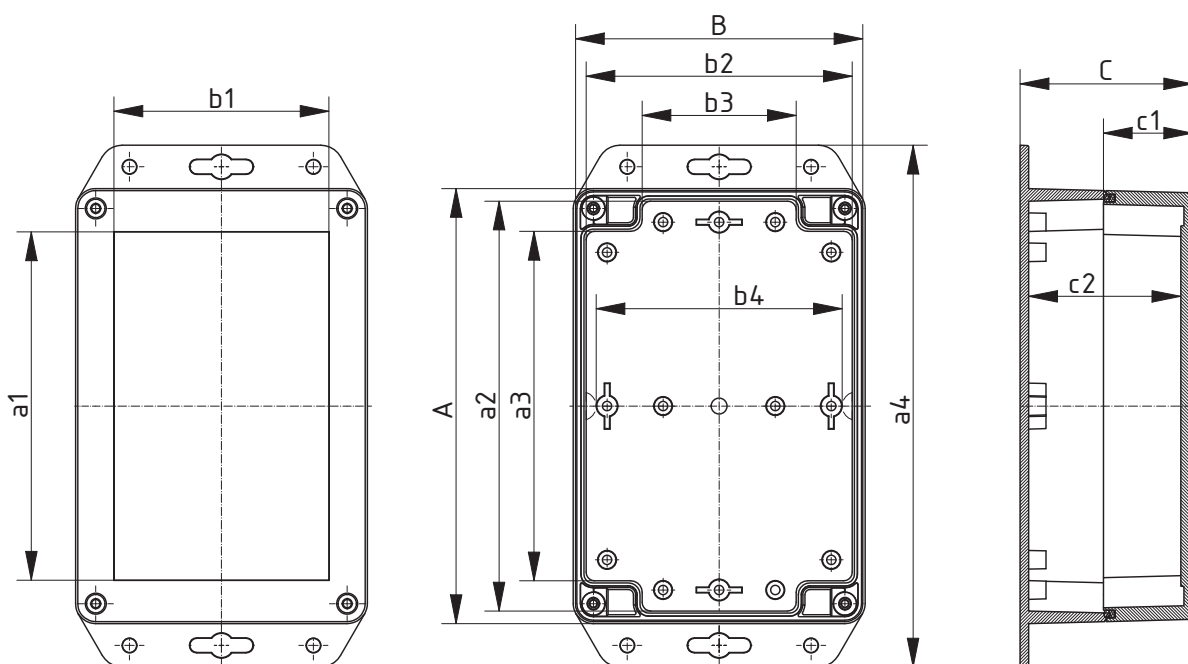
Enclosure, ABS, with wall brackets

Model	Order no.	A	B	C	a1	a2	a3	a4	b1	b2	b3	b4	c1	c2	IP	IK
XT 050504 WL 7035	07805054	44.8	44.8	40.1	-	38.6	29.1	72.9	-	38.6	29.1	-	15.2	34.3	66	07
XT 060403 WL 7035	07806043	87.8	40	30	-	53.9	35.3	-	-	33.9	15.3	-	15	24.2	66	07
XT 060604 WL 7035	07806064	60	60	40.1	38.8	52.9	33.6	91.3	38.8	52.9	33.6	-	15	33	66	07
XT 080805 WL 7035	07808085	106.5	75	45	-	67.7	47.4	-	-	67.7	37.1	-	16	37.9	66	07
XT 090604 WL 7035	07809064	90	60	39.9	68.9	82.9	63.6	121.3	38.9	52.9	33.6	-	15	32.8	66	07
XT 090905 WL 7035	07809095	121.5	91.5	45	-	82.7	59.5	-	-	82.7	50.6	-	16	37.9	66	07
XT 090906 WL 7035	07809096	121.5	91.5	60	-	82.7	59.5	-	-	82.7	50.6	-	31	52.9	66	07
XT 110704 WL 7035	07811074	105	70	40	74	97.6	78.9	131.3	49.6	62.6	34.9	-	15	32.9	66	07
XT 111105 WL 7035	07811115	136.5	106.5	45	-	97.6	73.5	-	-	97.6	58.6	-	16	37.9	66	07
XT 111106 WL 7035	07811116	-	-	-	-	-	-	-	-	-	-	-	-	-	66	07
XT 120805 WL 7035	07812085	120	80	45.2	92	112.6	92.2	151.5	56	72.6	43.6	-	15.1	38	66	07
XT 120806 WL 7035	07812086	120	80	60.2	91.6	112.6	92.6	151.5	51.6	72.6	43.6	-	30.1	53	66	07
XT 121205 WL 7035	07812125	-	-	-	-	-	-	-	-	-	-	-	-	-	66	07
XT 121206 WL 7035	07812126	-	-	-	-	-	-	-	-	-	-	-	-	-	66	07
XT 151005 WL 7035	07815105	150	100	45	121.7	142.6	121.6	181.5	75.3	92.6	53.6	-	15	37.9	66	07
XT 151006 WL 7035	07815106	150	100	60	121.2	142.6	121.6	181.5	74.8	92.6	53.6	-	30	52.9	66	07
XT 181206 WL 7035	07818126	179.9	119.9	60.2	149	172.5	151.5	211.4	88.8	112.5	73.6	-	30.1	53.1	66	07
XT 211405 WL 7035	07821145	209.7	139.8	45.1	179	203.3	181.3	243.2	109	132.4	93.4	112.5	15.1	37.9	66	07
XT 211406 WL 7035	07821146	-	-	-	-	-	-	-	-	-	-	-	-	-	66	07

Scope Of Delivery:

Lid and base, 4 screws (XM / XT 2114.. = 6 screws)

Notes: The dimensions are approximate values. The exact values can be found in the respective product drawing.



Z-2504 704

Euromas X

PC, single colour, with wall brackets



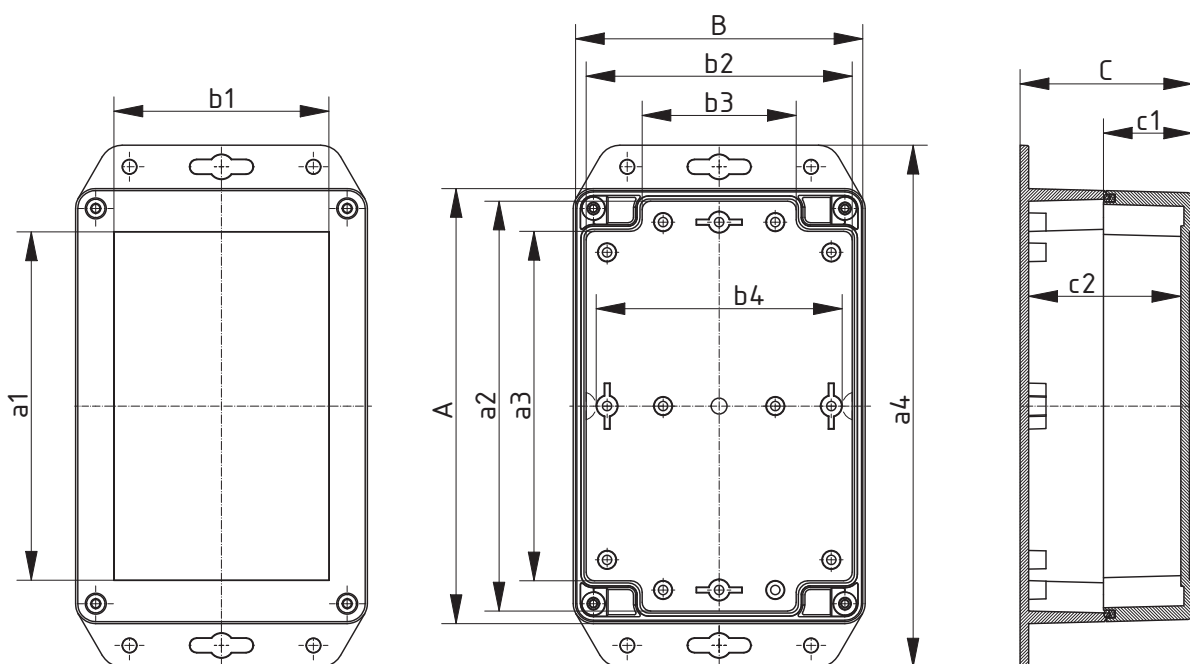
Enclosure, polycarbonate, with wall brackets

Model	Order no.	A	B	C	a1	a2	a3	a4	b1	b2	b3	b4	c1	c2	IP	IK
XM 050504 WL 7035	07605054	44.8	44.8	40.1	-	38.6	29.1	72.9	-	38.6	29.1	-	15.2	34.3	66	07
XM 060403 WL 7035	07606043	87.8	40	30	-	53.9	35.3	-	-	33.9	15.3	-	15	24.2	66	07
XM 060604 WL 7035	07606064	60	60	40.1	38.8	52.9	33.6	91.3	38.8	52.9	33.6	-	15	33	66	07
XM 080805 WL 7035	07608085	106.5	75	45	51.2	67.7	47.4	-	51.2	67.7	37.1	-	16	37.9	66	07
XM 090604 WL 7035	07609064	90	60	39.9	68.9	82.9	63.6	121.3	38.9	52.9	33.6	-	15	32.8	66	07
XM 090905 WL 7035	07609095	121.5	91.5	45	60.2	82.7	59.5	-	60.2	82.7	50.6	-	16	37.9	66	07
XM 090906 WL 7035	07609096	121.5	91.5	60	60.2	82.7	59.5	-	60.2	82.7	50.6	-	31	52.9	66	07
XM 110704 WL 7035	07611074	105	70	40	74	97.6	78.9	131.3	49.6	62.6	34.9	-	15	32.9	66	07
XM 111105 WL 7035	07611115	136.5	106.5	45	74.5	97.6	73.5	-	74.5	97.6	58.6	-	16	37.9	66	07
XM 111106 WL 7035	07611116	136.5	106.5	59	75.1	97.6	73.5	-	75.1	97.6	58.6	-	36	53	66	07
XM 120805 WL 7035	07612085	120	80	45.2	92	112.6	92.2	151.5	56	72.6	43.6	-	15.1	38	66	07
XM 120806 WL 7035	07612086	120	80	60.2	91.6	112.6	92.6	151.5	51.6	72.6	43.6	-	30.1	53	66	07
XM 121205 WL 7035	07612125	151.4	121.4	45	89.4	112.5	91.5	-	89.4	112.5	73.5	-	16	37.9	66	07
XM 121206 WL 7035	07612126	119.9	121.4	60	88.6	112.5	91.5	-	88.6	112.5	73.5	-	31.1	52.9	66	07
XM 151005 WL 7035	07615105	150	100	45	121.7	142.6	121.6	181.5	75.3	92.6	53.6	-	15	37.9	66	07
XM 151006 WL 7035	07615106	150	100	60	121.2	142.6	121.6	181.5	74.8	92.6	53.6	-	30	52.9	66	07
XM 181206 WL 7035	07618126	179.9	119.9	60.2	149	172.5	151.5	211.4	88.8	112.5	73.6	-	30.1	53.1	66	07
XM 211405 WL 7035	07621145	209.7	139.8	45.1	179	203.3	181.3	243.2	109	132.4	93.4	112.5	15.1	37.9	66	07
XM 211406 WL 7035	07621146	243.5	141.5	60.1	110.1	202.6	181.6	-	180.1	112.7	93.5	-	31.1	53	66	07

Scope Of Delivery:

Lid and base, 4 screws (XM / XT 2114.. = 6 screws)

Notes: The dimensions are approximate values. The exact values can be found in the respective product drawing.



Z-2504 704

Euromas X

PC, crystal-clear lid, with wall brackets



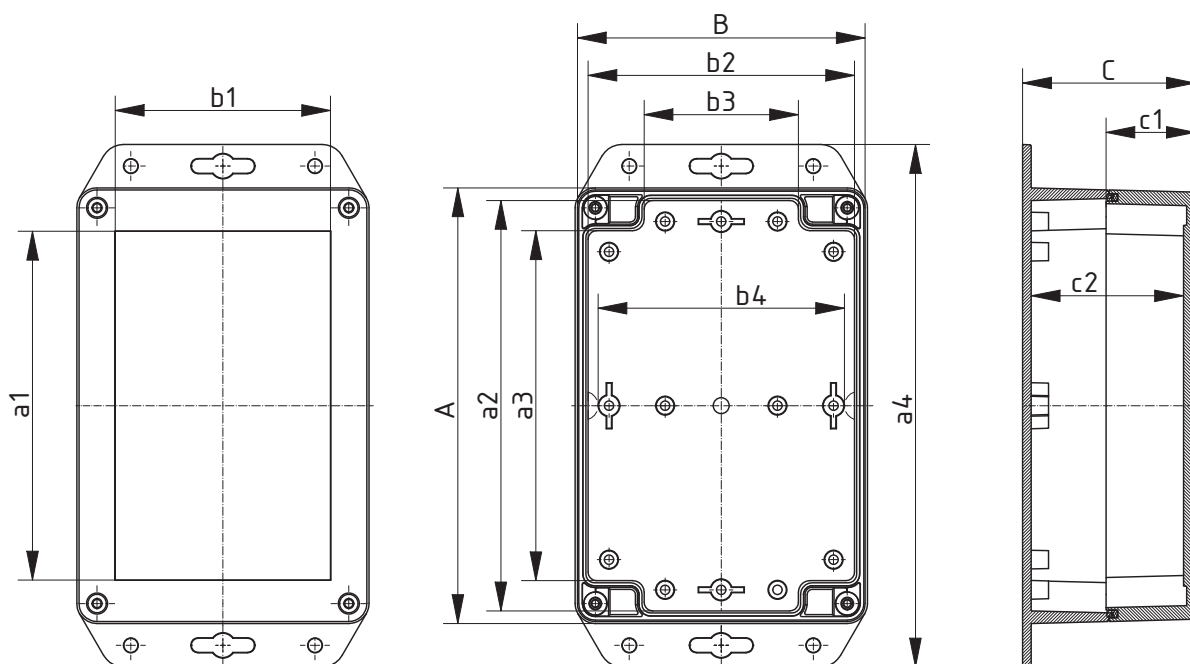
Enclosure, polycarbonate, crystal-clear lid, with wall brackets

Model	Order no.	A	B	C	a1	a2	a3	a4	b1	b2	b3	b4	c1	c2	IP	IK
XM 050504 G WL 7035	07705054	44.8	44.8	40.1	-	38.6	29.1	72.9	-	38.6	29.1	-	15.2	34.3	66	07
XM 060403 G WL 7035	07706043	87.8	40	30	-	53.9	35.3	-	-	33.9	15.3	-	15	24.2	66	07
XM 060604 G WL 7035	07706064	60	60	40.1	38.8	52.9	33.6	91.3	38.8	52.9	33.6	-	15	33	66	07
XM 080805 G WL 7035	07708085	106.5	75	45	-	67.7	47.4	-	-	67.7	37.1	-	16	37.9	66	07
XM 090604 G WL 7035	07709064	90	60	39.9	68.9	82.9	63.6	121.3	38.9	52.9	33.6	-	15	32.8	66	07
XM 090905 G WL 7035	07709095	121.5	91.5	45	-	82.7	59.5	-	-	82.7	50.6	-	16	37.9	66	07
XM 090906 G WL 7035	07709096	121.5	91.5	60	-	82.7	59.5	-	-	82.7	50.6	-	31	52.9	66	07
XM 110704 G WL 7035	07711074	105	70	40	74	97.6	78.9	131.3	49.6	62.6	34.9	-	15	32.9	66	07
XM 111105 G WL 7035	07711115	136.5	106.5	45	-	97.6	73.5	-	-	97.6	58.6	-	16	37.9	66	07
XM 111106 G WL 7035	07711116	136.5	106.5	59	-	97.6	73.5	-	-	97.6	58.6	-	36	53	66	07
XM 120805 G WL 7035	07712085	120	80	45.2	92	112.6	92.2	151.5	56	72.6	43.6	-	15.1	38	66	07
XM 120806 G WL 7035	07712086	120	80	60.2	91.6	112.6	92.6	151.5	51.6	72.6	43.6	-	30.1	53	66	07
XM 121205 G WL 7035	07712125	151.4	121.4	45	-	112.5	91.5	-	-	112.5	73.5	-	16	37.9	66	07
XM 121206 G WL 7035	07712126	119.9	121.4	60	-	112.5	91.5	-	-	112.5	73.5	-	31.1	52.9	66	07
XM 151005 G WL 7035	07715105	150	100	45	121.7	142.6	121.6	181.5	75.3	92.6	53.6	-	15	37.9	66	07
XM 151006 G WL 7035	07715106	150	100	60	121.2	142.6	121.6	181.5	74.8	92.6	53.6	-	30	52.9	66	07
XM 181206 G WL 7035	07718126	179.9	119.9	60.2	149	172.5	151.5	211.4	88.8	112.5	73.6	-	30.1	53.1	66	07
XM 211405 G WL 7035	07721145	209.7	139.8	45.1	179	203.3	181.3	243.2	109	132.4	93.4	112.5	15.1	37.9	66	07
XM 211406 G WL 7035	07721146	243.5	141.5	60.1	-	202.6	181.6	-	-	112.7	93.5	-	31.1	53	66	07

Scope Of Delivery:

Lid and base, 4 screws (XM / XT 2114.. = 6 screws)

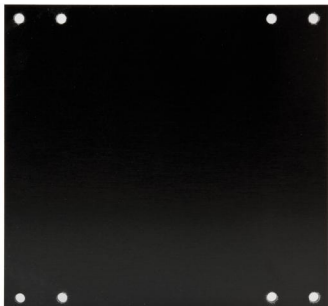
Notes: The dimensions are approximate values. The exact values can be found in the respective product drawing.



Z-2504 704

Euromas X

Mounting panels



Mounting panels, laminated paper

Model	Order no.	IP	IK
XM/XT 0505..WL M	07905050	66	07
XM/XT 0606..WL M	07906060	66	07
XM/XT 0906..WL M	07909060	66	07
XM/XT 1107..(WL) M	07911070	66	07
XM/XT 1111.. M	07911110	66	07
XM/XT 1208..WL M	07912080	66	07
XM/XT 1308.. M	07913080	66	07
XM/XT 1414.. M	07914140	66	07
XM/XT 151006 (WL) M	07915100	66	07
XM/XT 1510.. (WL) M	07915101	66	07
XM/XT 1515.. M	07915150	66	07
XM/XT 1812..(WL) M	07918120	66	07
XM/XT 1908.. M	07919080	66	07
XM/XT 2114..(WL) M	07921140	66	07
XM/XT 2419.. M	07924190	66	07

Scope Of Delivery:

1 mounting panel

Euromas X

Accessories

DIN rails DIN EN 60715 TH 15, galvanised steel

Model	Order no.	C	Note
TS 15.050.2	22150502	50	
TS 15.060.1	22150601	60	
TS 15.070.2	22150702	70	For BA 1008..
TS 15.090.2	22150902	90	
TS 15.110.2	22151102	110	For BA 1408., BA 1413..
TS 15.120.2	22151202	120	
TS 15.135.2	22151352	135	
TS 15.140.2	22151402	140	
TS 15.165.2	22151652	165	
TS 15.200.2	22152002	200	
TS 15.220.2	22152202	220	

Scope Of Delivery:

1 DIN rail

Notes: For fixing screws see General Accessories. C = DIN rail length in mm. Matching terminals and terminal mounting on request.



DIN rails DIN EN 60715 TH 35, galvanised steel

Model	Order no.	C	Note
TS 35.060.2	22350602	60	
TS 35.070.2	22350702	70	For BA 1008..
TS 35.090.2	22350902	90	
TS 35.110.2	22351102	110	For BA 1408., BA 1413..
TS 35.120.2	22351202	120	
TS 35.135.2	22351352	135	
TS 35.140.2	22351402	140	
TS 35.165.2	22351652	165	
TS 35.200.2	22352002	200	
TS 35.220.2	22352202	220	

Scope Of Delivery:

1 DIN rail

