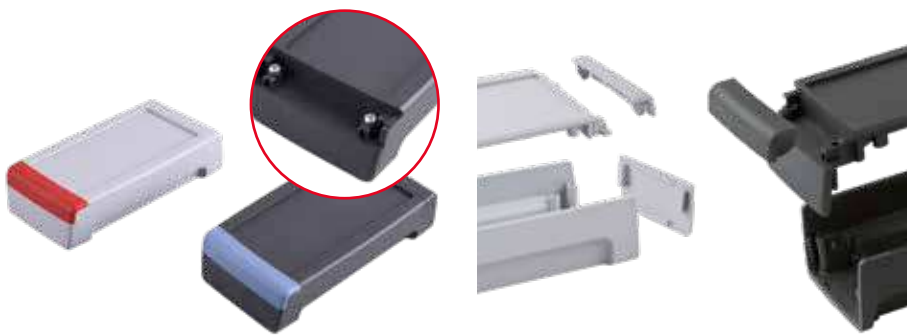


## The product advantages



Circum is a design-oriented electronics enclosure system. In addition to the standard version (F / F-FP), it is also available as a console type (P / P-FP) or for wall/control panel mounting (F-NG).



The enclosure screws are concealed under cover panels which are available in various colours. They can be used to create additional colour designs.

Depending on the situation, versions can be selected with integrated front panels (C...F / P) or plug-in front panels (C...F-FP / P-FP).



Wall mounting using the wall brackets is possible for variants F and F-FP. These can be mounted in two positions, as required.



The control panel version can be fixed to the wall with the use of a mounting frame.



**Quick-Finder:**  
[www.bopla.de/93](http://www.bopla.de/93)

## Examples of use





**Colour:**

● Graphite grey, similar to RAL 7024

● Agate grey, similar to RAL 7038

Special colours on request

**Protection class:**

IP40 / DIN EN 60529

**Material:**

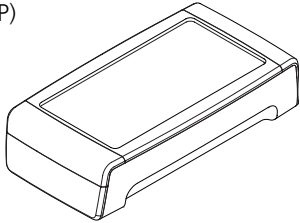
Enclosure: ABS

For details see technical information.

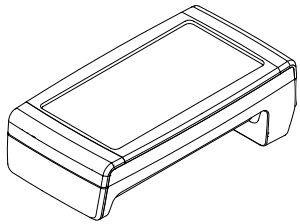


## Enclosure sizes

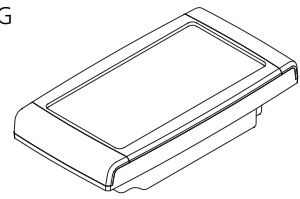
C 1435 F(-FP)



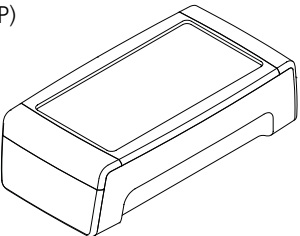
C 1435 P



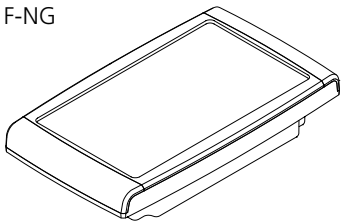
C 1435 F-NG



C 1440 F(-FP)



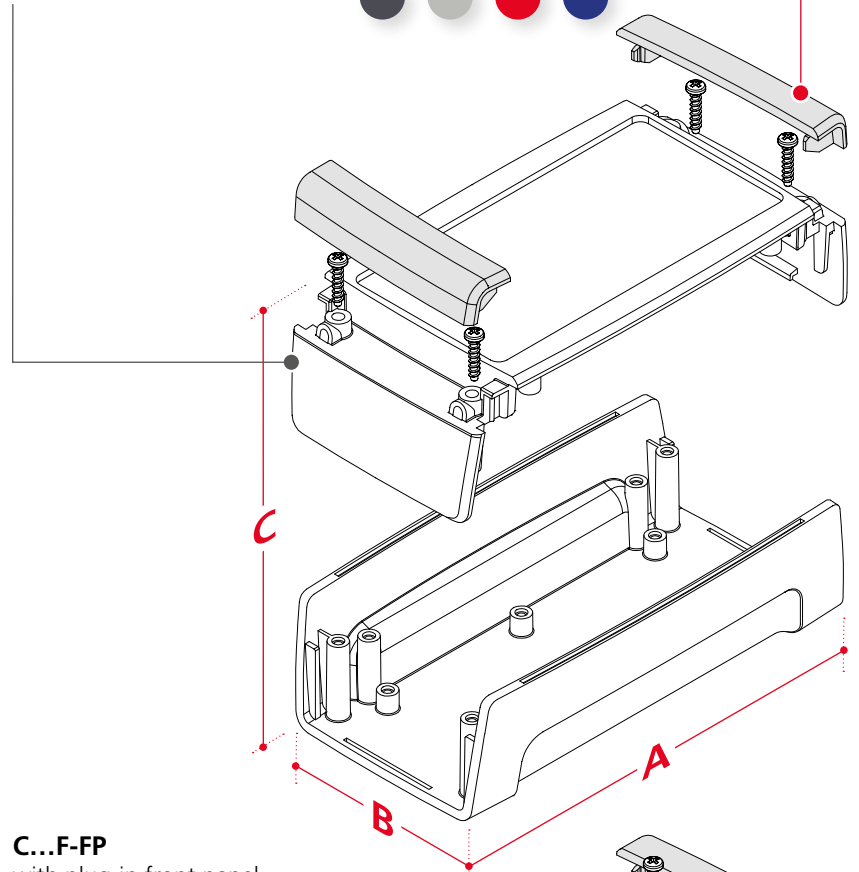
C 1735 F-NG



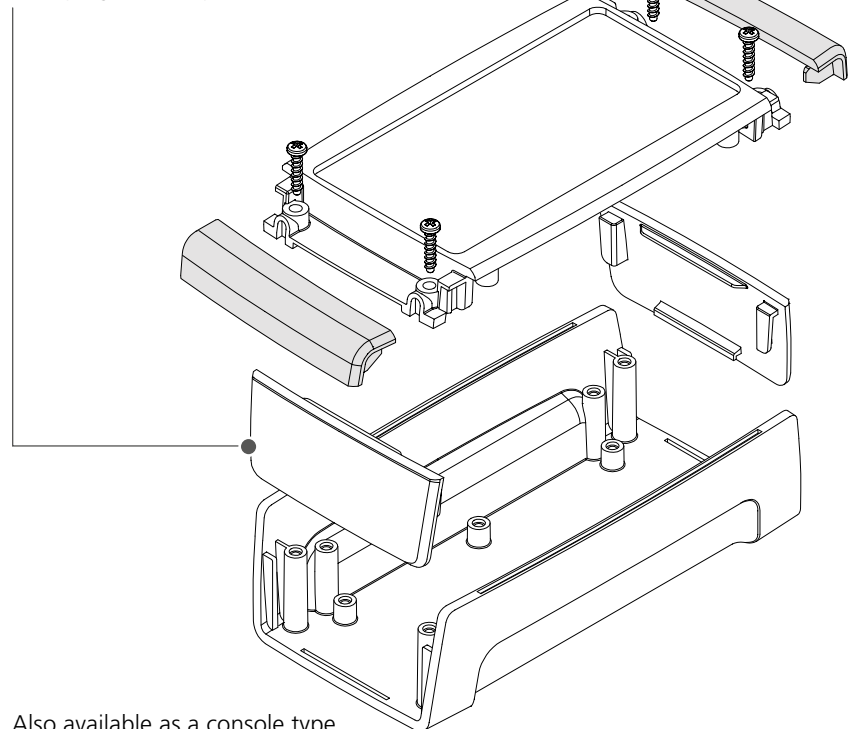
## Bauvarianten

**C...F**  
with integrated front panel

Colour variants



**C...F-FP**  
with plug-in front panel



Also available as a console type.

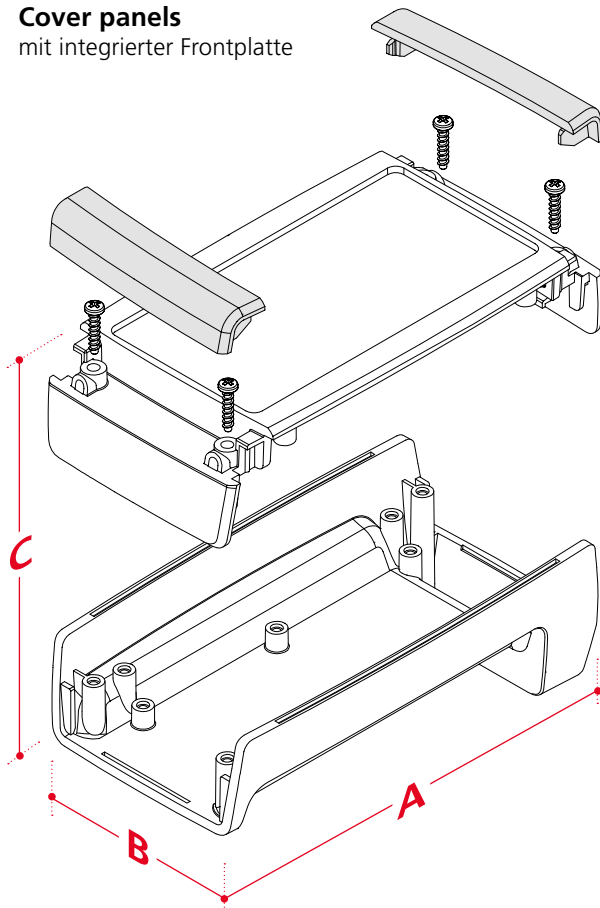
# Circum



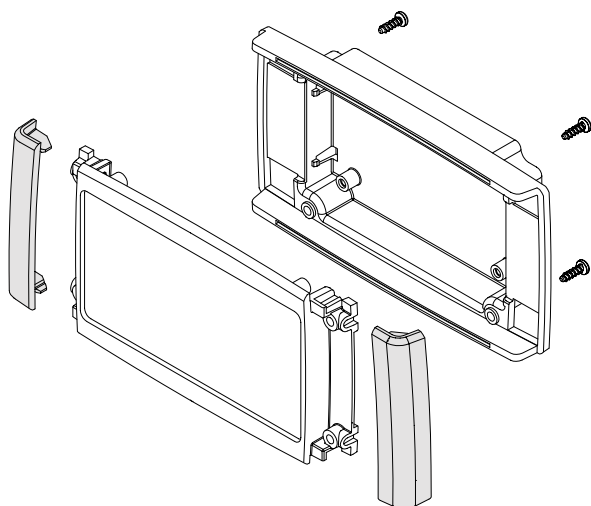
**BOPLA**

A Phoenix Mecano Company

## Cover panels mit integrierter Frontplatte



## Mounting frame for wall fitting



## Dimensions

Model	A	B	C
C 1435 F(-FP) / P(-FP)	145.3	74.7	34
C 1435 F-NG	141.4	74.7	15
C 1440 F(-FP)	147	74.7	42
C 1735 F-NG	166.4	95.7	15

## Accessories



Cover panels



Wall brackets for C...F / C...F-FP



Wall frame for surface-mounting of the F-NG version

# Circum

## Enclosure



### Enclosure with integrated front panel

Model	Order no.	A	B	C	Colour
C 1435 F-7038	93143511	145.3	74.7	34	Agate grey
C 1435 F-7024	93143521	145.3	74.7	34	Graphite grey

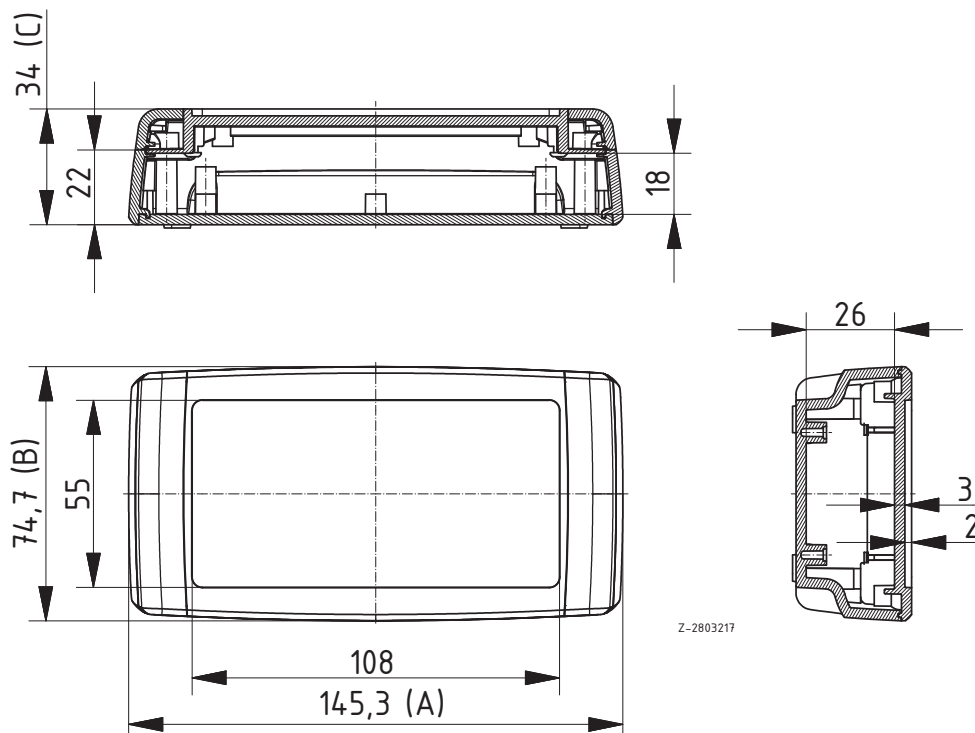
Scope Of Delivery: Lid with integrated front panels, base, 2 cover panels, 4 screws



### Enclosure with plug-in front panel

Model	Order no.	A	B	C	Colour
C 1435 F-FP-7038	93143512	145.3	74.7	34	Agate grey
C 1435 F-FP-7024	93143522	145.3	74.7	34	Graphite grey

Scope Of Delivery: Lid, base, 2 plug-in front panels, 2 cover panels, 4 screws



# Circum

## Enclosure

### Enclosure with integrated front panel

Model	Order no.	A	B	C	Colour
C 1440 F-7038	<b>93144011</b>	147	74.7	42	Agate grey
C 1440 F-7024	<b>93144021</b>	147	74.7	42	Graphite grey

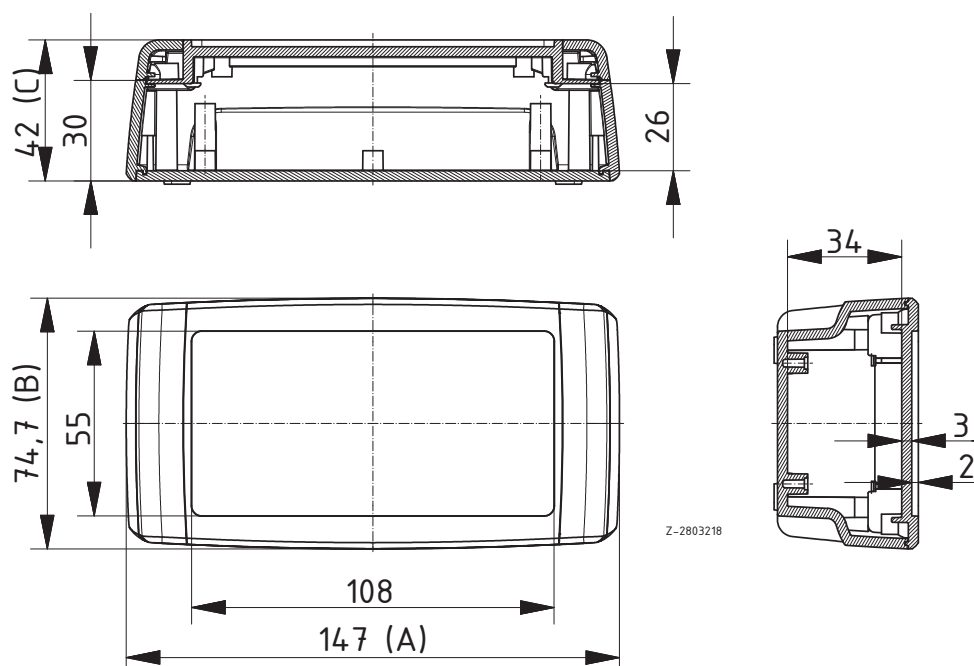
Scope Of Delivery: Lid with integrated front panels, base, 2 cover panels, 4 screws



### Enclosure with plug-in front panel

Model	Order no.	A	B	C	Colour
C 1440 F-FP-7038	<b>93144012</b>	147	74.7	42	Agate grey
C 1440 F-FP-7024	<b>93144022</b>	147	74.7	42	Graphite grey

Scope Of Delivery: Lid, base, 2 plug-in front panels, 2 cover panels, 4 screws



# Circum

## Desktop enclosure



### Console enclosure with integrated front panel

Model	Order no.	A	B	C	Colour
C 1435 P-7038	93143513	145.3	74.7	34	Agate grey
C 1435 P-7024	93143523	145.3	74.7	34	Graphite grey

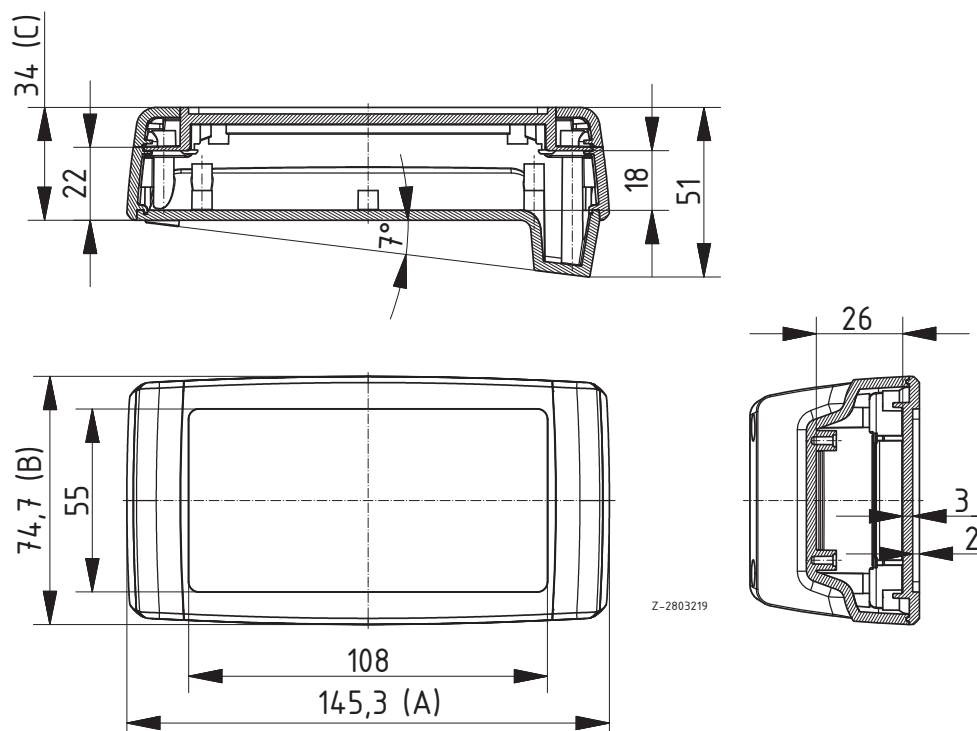
Scope Of Delivery: Lid with integrated front panels, console base, 2 cover panels, 4 screws, 4 rubber feet



### Console enclosure with plug-in front panel

Model	Order no.	A	B	C	Colour
C 1435 P-FP-7038	93143514	145.3	74.7	34	Agate grey
C 1435 P-FP-7024	93143524	145.3	74.7	34	Graphite grey

Scope Of Delivery: Lid, console base, 2 plug-in front panels, 2 cover panels, 4 screws, 4 rubber feet



# Circum

## Wall and control panel mounting

### Control panel mounting enclosure

Model	Order no.	A	B	C	Colour
C 1435 F-NG-7038	<b>93143515</b>	141.4	74.7	15	Agate grey
C 1435 F-NG-7024	<b>93143525</b>	141.4	74.7	15	Graphite grey

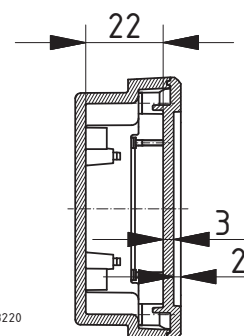
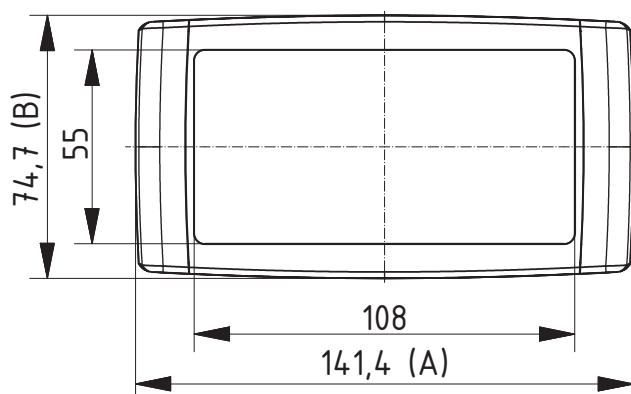
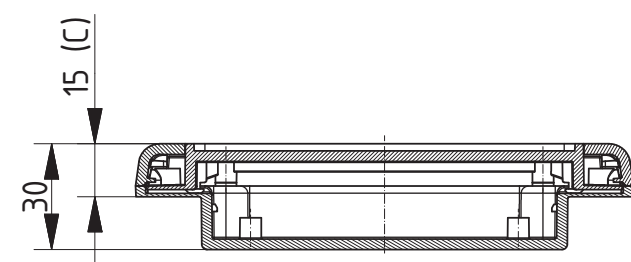
Scope Of Delivery: Lid, control panel mounting base, 2 cover panels, 4 screws



### Wall frame for C 1435 F-NG

Model	Order no.	Colour
C 1435 WR-7038	<b>93143516</b>	Agate grey
C 1435 WR-7024	<b>93143526</b>	Graphite grey

Scope Of Delivery: Wall frame, 4 screws



Z-2803220



# Circum

## Wall and control panel mounting



### Control panel mounting enclosure

Model	Order no.	A	B	C	Colour
C 1735 F-NG-7038	93173515	166.4	95.7	15	Agate grey
C 1735 F-NG-7024	93173525	166.4	95.7	15	Graphite grey

**Scope Of Delivery:** Lid, control panel mounting base, 2 cover panels, 4 screws

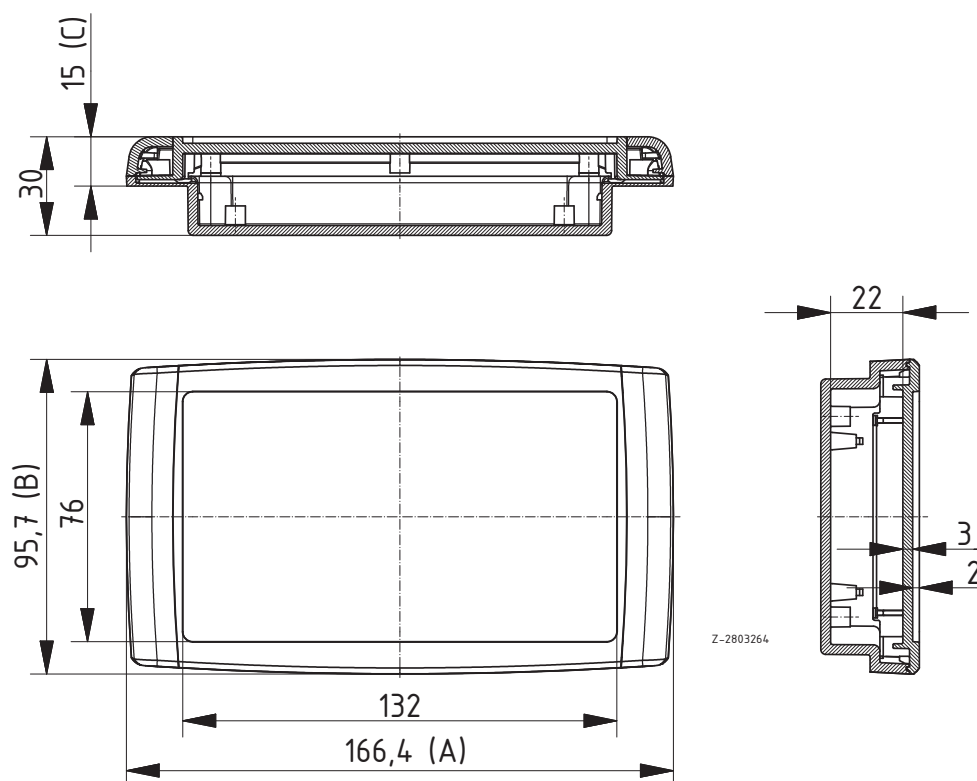
**Notes:** See following pages for accessories. Max. display size: 4.3"



### Wall frame for C 1735 F-NG

Model	Order no.	Colour
C 1735 WR-7038	93173516	Agate grey
C 1735 WR-7024	93173526	Graphite grey

**Scope Of Delivery:** Wall frame, 4 screws



# Circum

## Cover panels

### Cover panels

Model	Order no.	Colour	Note
C 1400 BL-3000	<b>93140040*</b>	Flame red	For C 14..
C 1400 BL-5014	<b>93140050*</b>	Dove blue	For C 14..
C 1400 BL-7038	<b>93140010*</b>	Agate grey	For C 14..
C 1400 BL-7024	<b>93140030*</b>	Graphite grey	For C 14..
C 1700 BL-3000	<b>93170040*</b>	Flame red	For C 17..
C 1700 BL-5014	<b>93170050*</b>	Dove blue	For C 17..
C 1700 BL-7038	<b>93170010*</b>	Agate grey	For C 17..
C 1700 BL-7024	<b>93170020*</b>	Graphite grey	For C 17..



**Scope Of Delivery:** 10 cover panels (for 5 enclosures)

# Circum

## Accessories



### Wall brackets for C...F and C...F-FP

Model	Order no.	Colour
C-WL-7038	93000010	Agate grey, similar to RAL 7038
C-WL-7024	93000020	Graphite grey, similar to RAL 7024

Scope Of Delivery: 2 wall brackets (right), 2 wall brackets (left), 4 screws



**BOPLA**

A Phoenix Mecano Company