

BOVersa

Enclosures for IoT and embedded systems



BOPLA

A Phoenix Mecano Company

BOPLA
enclosures ■ content matters



The three-part enclosure structure consists of a base, function lid and design cover, which can be combined as required.

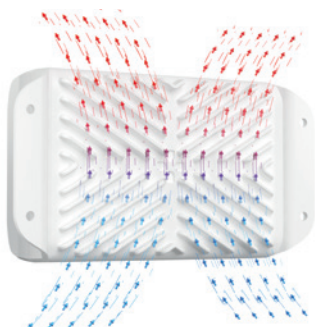
With the different base sizes, a wide variety of combinations can be realized. The enclosure sizes are tailored to standard (touch) display formats.



A metal base and a plastic lid create the perfect combination for wireless applications which require cooling.



In addition to the standard plastic version, a die-cast aluminium base with moulded-on cooling fins and wall brackets is also available.



The point-symmetric design of the cooling fins enables optimal airflow in both horizontal and vertical mounting positions.



The design cover with a recessed surface is ideal for integrating membrane keypads and displays, while the closed version enables a clean appearance or customised designs.



Design:

- Black, similar to RAL 9005
- White, similar to RAL 9016

Special colours on request

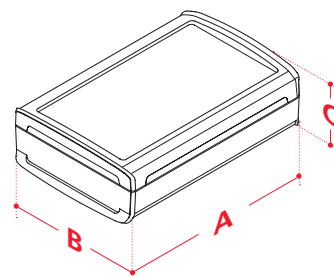
Protection class:

IP66 / 68 (1.2 m - 2 h) DIN EN 60529
Impact strength IK08 IEC 62262
7 Joule EN 60079-0

Material:

Plastic parts: PC UL 94 V-0
Aluminium parts: GD Al Si 12
suitable for outdoor use;
f1 listing according to UL 746 C
Seal: PU foamed, silicone

Materials according to requirement set R1 or R7 according to DIN EN 45545-2 of the risk level HL3.



Dimensions

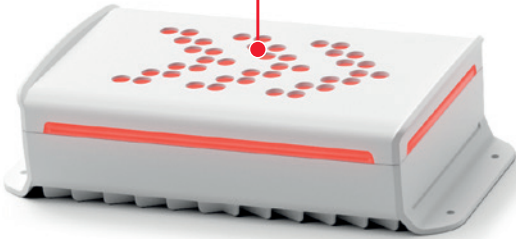
Model	A	B	C	UT KST	UT ALU
BOV 120903 / 3.5"	125	88	34	✓	✓
BOV 171204 / 5"	170	120	44	✓	✓
BOV 171207 / 5"	170	120	68,5	*✓	✓
BOV 211405 / 7"	210	140	54	✓	✓
BOV 211408 / 7"	210	140	79	*✓	
BOV 211409 / 7"	210	140	86,5		✓
BOV 281906 / 10.1"	275	185	64	✓	✓
BOV 281913 / 10.1"	275	185	126,5	*✓	✓

*Available only with wall brackets.

BoVersa

The incredibly versatile enclosure system – a sleek design not just for wireless applications.

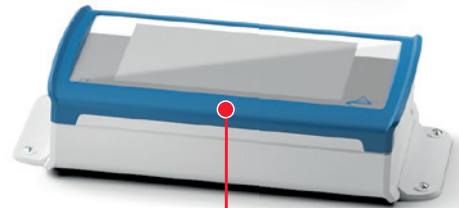
- The closed design cover can almost endlessly change the appearance through customised machining



- The transparent functional lid provides a view inside the enclosure or built-in displays
- No visible enclosure screws



- Enclosure base made of die-cast aluminum with integrated cooling fins and wall brackets

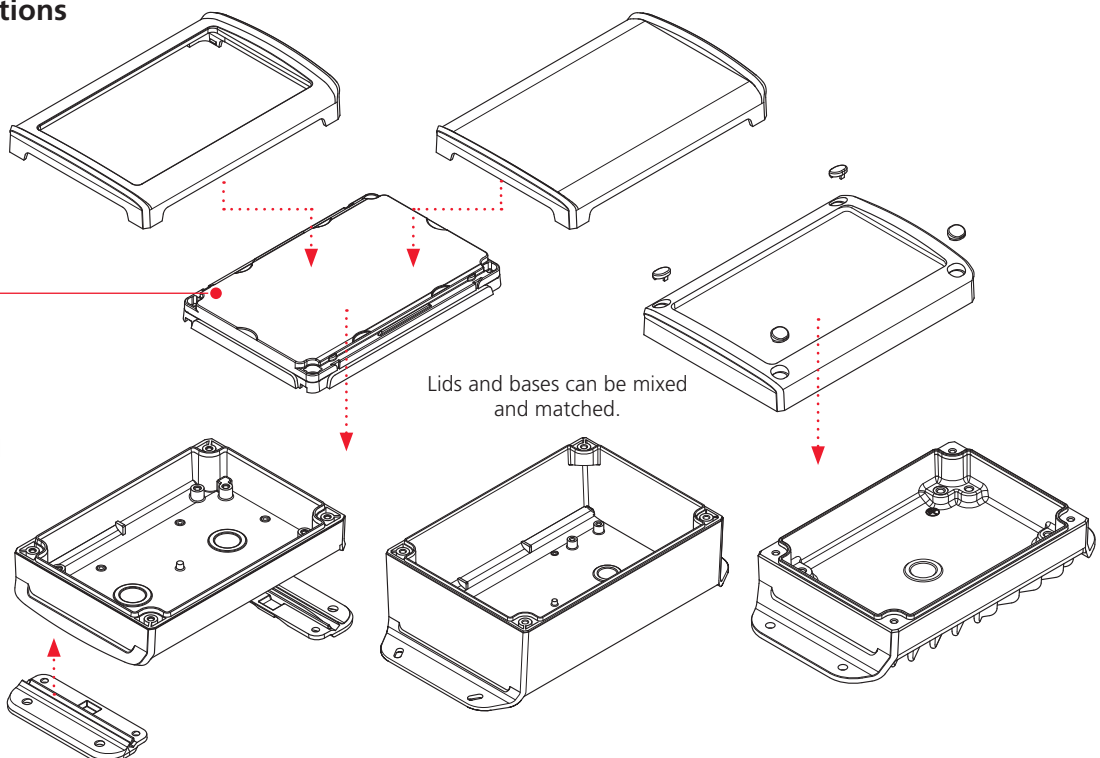


- Highlights can be created by combining enclosure parts in different colors – on request also customized

Enclosure combinations

Functional lid available in:

- Black
- White
- Translucent
- Crystal clear





BOPLA

A Phoenix Mecano Company

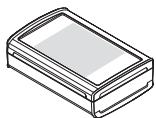


- The translucent functional lid enables impressive lighting effects and provides status signaling

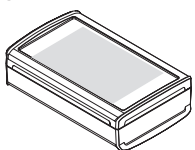
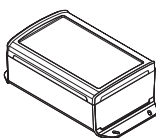
Display sizes/enclosure sizes



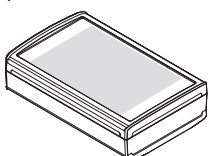
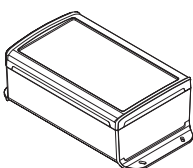
3.5"



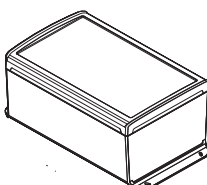
5"



7"



10.1"



Accents can be set deliberately by combining enclosure parts in different colors. Customer-specific solutions are also available on request.



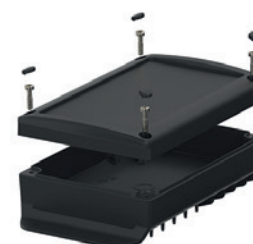
The enclosure parts can be combined in different colour schemes. With the transparent and translucent functional covers, impressive lighting effects and status signaling can be achieved.



Individual processing of the closed design cover allows almost unlimited changes to the look.



A diecast aluminium lid is also available for applications which require extra mechanical stability – the lid screws are concealed under covers.



BoVersa



The combination of a high degree of protection and material PC UL 94 V0 (f1 UL 746C) characteristics allows outdoor use.

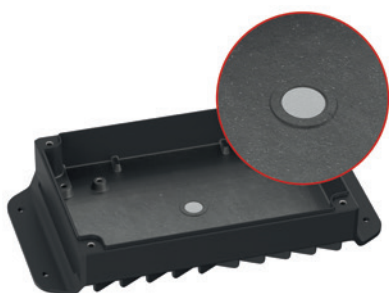
The Material corresponds to the set of requirements R 22 according to DIN EN 45545-2 of risk level HL3.



The wall brackets are moulded-on directly to the aluminium base. They can be retrofitted separately to the plastic base.



A mast mounting is available as an optional extra.



The base has a moulded-on insertion opening for a pressure compensation membrane which can be factory-activated.



The transparent function lid provides a view of the enclosure interior or built-in displays.

Applications



BoVersa

Bases plastic



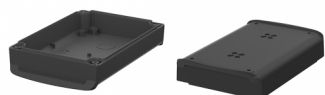
Base, plastic, white

Model	Order no.	A	B	C	a1	a2	b1	c1	IP	IK
BOV 120903 UT 9003	48182233	125	88	23	134.9	118.8	80.3	19	66	08
BOV 171204 UT 9003	48184343	170	120	31	179.9	163.6	111.8	26.5	66	08
BOV 211405 UT 9003	48186453	210	140	39	222.3	203.5	129.5	34.5	66	08
BOV 281906 UT 9003	48188663	275	185	44	287.1	267.4	174.4	39.5	66	08

Scope Of Delivery:

Enclosure base, enclosure screws

Notes: The dimensions are approximate values. The exact values can be found in the respective product drawing.



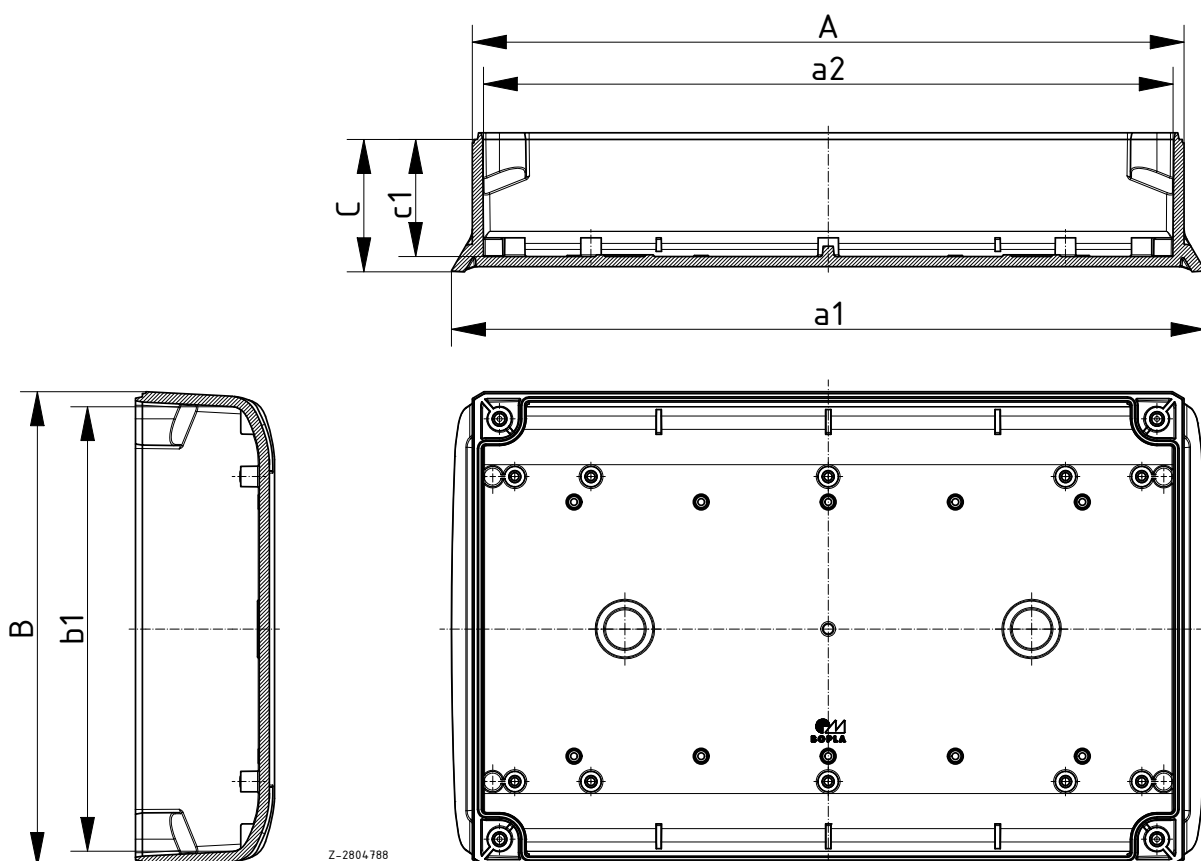
Base, plastic, black

Model	Order no.	A	B	C	a1	a2	b1	c1	IP	IK
BOV 120903 UT 9005	48182235	125	88	23	134.9	118.8	80.3	19	66	08
BOV 171204 UT 9005	48184345	170	120	31	179.9	163.6	111.8	26.5	66	08
BOV 211405 UT 9005	48186455	210	140	39	222.3	203.5	129.5	34.5	66	08
BOV 281906 UT 9005	48188665	275	185	44	287.1	267.4	174.4	39.5	66	08

Scope Of Delivery:

Enclosure base, enclosure screws

Notes: The dimensions are approximate values. The exact values can be found in the respective product drawing.



Z-2804.788

BoVersa

Bases plastic

Base with wall brackets, plastic, white

Model	Order no.	A	B	C	a1	a2	b1	c1	IP	IK
BOV 171207 UT WL-9003	48184363**	170	120	56	216	163.1	109.2	51.5	66	08
BOV 211408 UT WL-9003	48186473	210	140	64	258	203	127.6	59.5	66	08
BOV 281913 UT WL-9003	48188683**	275	185	107	323	266.2	167.8	102.5	66	08



Scope Of Delivery:

Enclosure base, enclosure screws

Notes: Note: ** in preparation

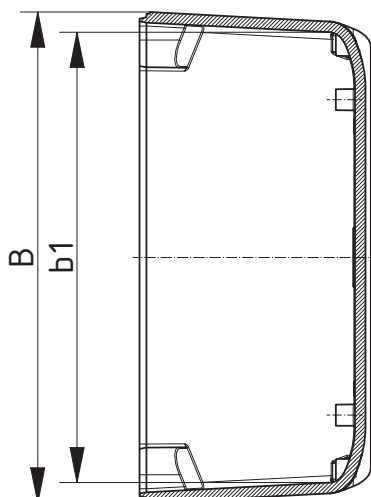
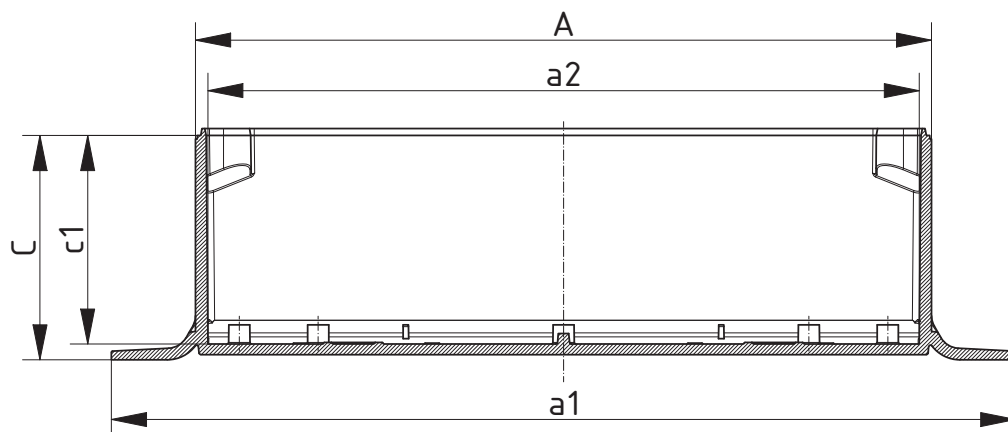
Base with wall brackets, plastic, black

Model	Order no.	A	B	C	a1	a2	b1	c1	IP	IK
BOV 171207 UT WL-9005	48184365**	170	120	56	216	163.1	109.2	51.5	66	08
BOV 211408 UT WL-9005	48186475	210	140	64	258	203	127.6	59.5	66	08
BOV 281913 UT WL-9005	48188685**	275	185	107	323	266.2	167.8	102.5	66	08

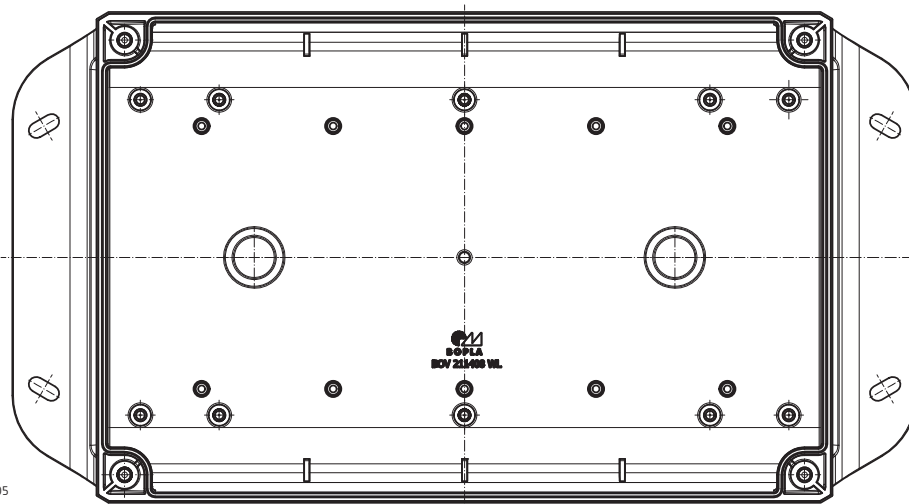


Scope Of Delivery:

Enclosure base, enclosure screws

Notes: Note: ** in preparation


Z-2805005



BoVersa

Bases Aluminium with heatsink



Base, aluminium, white

Model	Order no.	A	B	C	a1	a2	b1	c1	IP	IK
BOV 120903 UT KWL-9003	48192233	125	88	26.5	162	118.6	80.7	19	66	08
BOV 171204 UT KWL-9003	48194343	170	120	34.5	216	163.1	111.9	26.5	66	08
BOV 171207 UT KWL-9003	48194363**	170	120	59.5	216	162.3	109.3	51.5	66	08
BOV 211405 UT KWL-9003	48196453	210	140	42.5	258	203	131	34.5	66	08
BOV 211409 UT KWL-9003	48196493**	210	140	74.5	258	201.9	127.6	66.5	66	08
BOV 281906 UT KWL-9003	48198663	275	185	47	323	266.9	174.5	39	66	08
BOV 281913 UT KWL-9003	48198683	275	185	110	323	266.9	174.5	102	66	08

Scope Of Delivery:

Enclosure base, enclosure screws

Notes: The dimensions are approximate values. The exact values can be found in the respective product drawing.

Note: ** in preparation



Base, aluminium, black

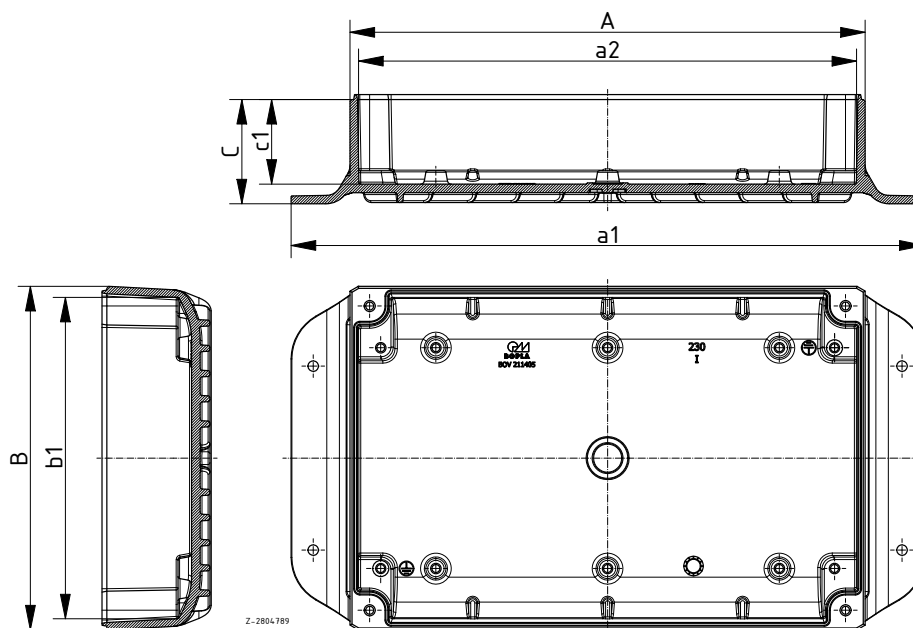
Model	Order no.	A	B	C	a1	a2	b1	c1	IP	IK
BOV 120903 UT KWL-9005	48192235	125	88	26.5	162	118.6	80.7	19	66	08
BOV 171204 UT KWL-9005	48194345	170	120	34.5	216	163.1	111.9	26.5	66	08
BOV 171207 UT KWL-9005	48194365**	170	120	59.5	216	162.3	109.3	51.5	66	08
BOV 211405 UT KWL-9005	48196455	210	140	42.5	258	203	131	34.5	66	08
BOV 211409 UT KWL-9005	48196495**	210	140	74.5	258	201.9	127.6	66.5	66	08
BOV 281906 UT KWL-9005	48198665	275	185	47	323	266.9	174.5	39	66	08
BOV 281913 UT KWL-9005	48198685	275	185	110	323	266.9	174.5	102	66	08

Scope Of Delivery:

Enclosure base, enclosure screws

Notes: The dimensions are approximate values. The exact values can be found in the respective product drawing.

Note: ** in preparation



BoVersa

Aluminium lid

Enclosure lid, aluminium, white

Model	Order no.	A	B	C	a1	a2	a3	b1	b2	c1	IP	IK
BOV 1209 OT A-9003	48142203	125	88	19	133	121.7	115.8	66.2	78.9	10	66	08
BOV 1712 OT A-9003	48144303	170	120	21	180.3	168.4	160.8	85.3	110.9	11	66	08
BOV 2114 OT A-9003	48146403	210	140	24	221.7	207	200.8	108.5	130.8	13.5	66	08
BOV 2819 OT A-9003	48148603	275	185	29	286.7	271.4	263.7	150.8	173.8	18	66	08



Scope Of Delivery:

Lid, screw covers

Notes: The dimensions are approximate values. The exact values can be found in the respective product drawing.

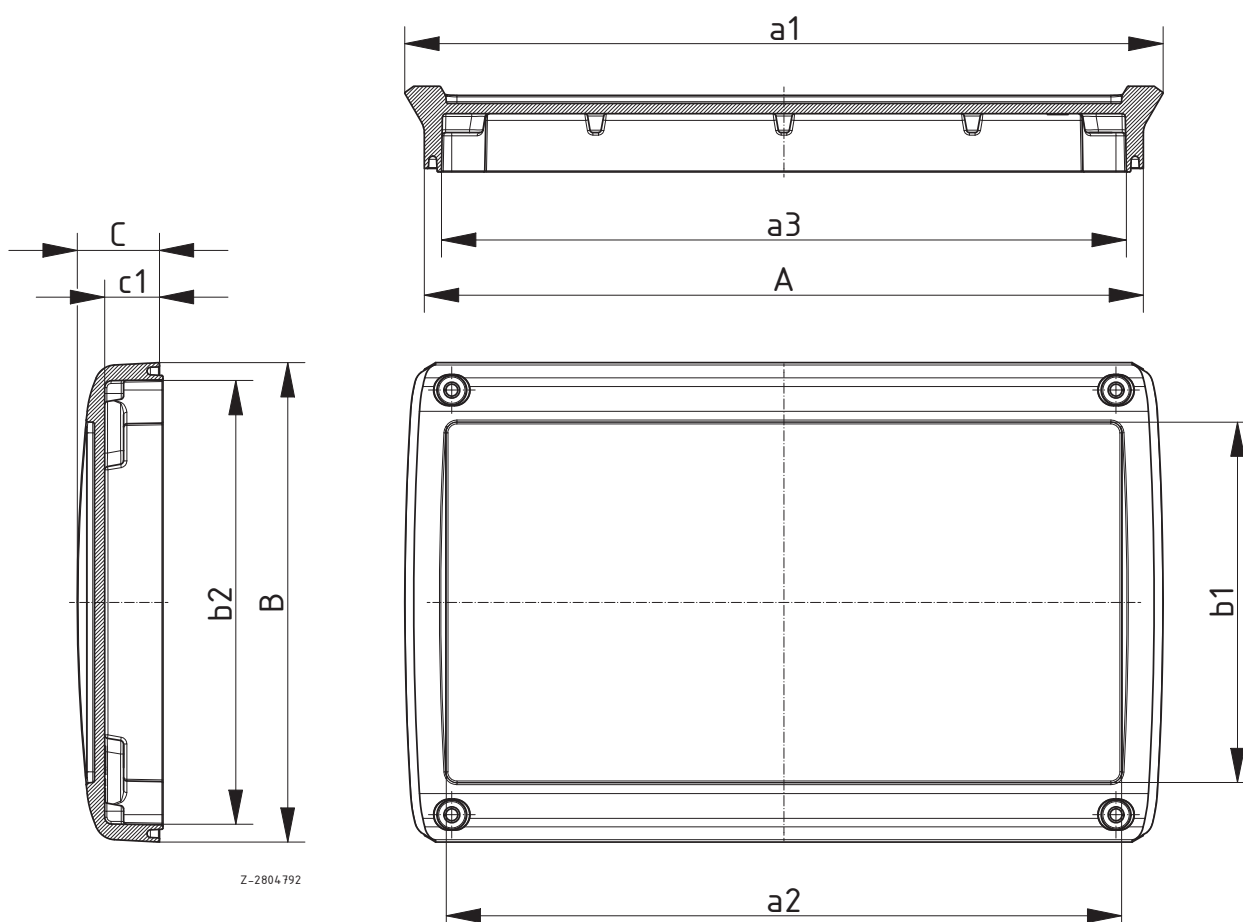
Enclosure lid, aluminium, black

Model	Order no.	A	B	C	a1	a2	a3	b1	b2	c1	IP	IK
BOV 1209 OT A-9005	48142205	125	88	19	133	121.7	115.8	66.2	78.9	10	66	08
BOV 1712 OT A-9005	48144305	170	120	21	180.3	168.4	160.8	85.3	110.9	11	66	08
BOV 2114 OT A-9005	48146405	210	140	24	221.7	207	200.8	108.5	130.8	13.5	66	08
BOV 2819 OT A-9005	48148605	275	185	29	286.7	271.4	263.7	150.8	173.8	18	66	08



Scope Of Delivery:

Lid, screw covers

Notes: The dimensions are approximate values. The exact values can be found in the respective product drawing.


BoVersa

Enclosure lid, plastic, white



Enclosure lid, plastic, white

Model	Order no.	A	B	C	a1	a2	a3	b1	b2	c1	IP	IK
BOV 1209 FG-9003 - OT-9003	48412233	125	88	19	133	121.7	115.8	66.2	78.9	10	66	08
BOV 1712 FG-9003 - OT-9003	48414333	170	120	21	180.3	168.4	160.8	85.3	110.9	11	66	08
BOV 2114 FG-9003 - OT-9003	48416433	210	140	24	221.7	207	200.8	108.5	130.8	13.5	66	08
BOV 2819 FG-9003 - OT-9003	48418633	275	185	29	286.7	271.4	263.7	150.8	173.8	18	66	08

Scope Of Delivery:

Function lid, design cover

Notes: The dimensions are approximate values. The exact values can be found in the respective product drawing.



Enclosure lid, plastic, white/black

Model	Order no.	A	B	C	a1	a2	a3	b1	b2	c1	IP	IK
BOV 1209 FG-9003 - OT-9005	48412235	125	88	19	133	121.7	115.8	66.2	78.9	10	66	08
BOV 1712 FG-9003 - OT-9005	48414335	170	120	21	180.3	168.4	160.8	85.3	110.9	11	66	08
BOV 2114 FG-9003 - OT-9005	48416435	210	140	24	221.7	207	200.8	108.5	130.8	13.5	66	08
BOV 2819 FG-9003 - OT-9005	48418635	275	185	29	286.7	271.4	263.7	150.8	173.8	18	66	08

Scope Of Delivery:

Function lid, design cover

Notes: The dimensions are approximate values. The exact values can be found in the respective product drawing.



Enclosure lid, plastic, translucent, with silicone seal

Model	Order no.	A	B	C	a1	a2	a3	b1	b2	c1	IP	IK
BOV 1209 FG-9003 - OT LL-SILC	48432231.SILC	125	88	19	133	121.7	115.8	66.2	78.9	10	66	08
BOV 1712 FG-9003 - OT LL-SILC	48434331.SILC	170	120	21	180.3	168.4	160.8	85.3	110.9	11	66	08
BOV 2114 FG-9003 - OT LL-SILC	48436431.SILC	210	140	24	221.7	207	200.8	108.5	130.8	13.5	66	08
BOV 2819 FG-9003 - OT LL-SILC	48438631.SILC	275	185	29	286.7	271.4	263.7	150.8	173.8	18	66	08

Scope Of Delivery:

Function lid, design cover

Notes: The dimensions are approximate values. The exact values can be found in the respective product drawing.

BoVersa

Enclosure lid, plastic, white



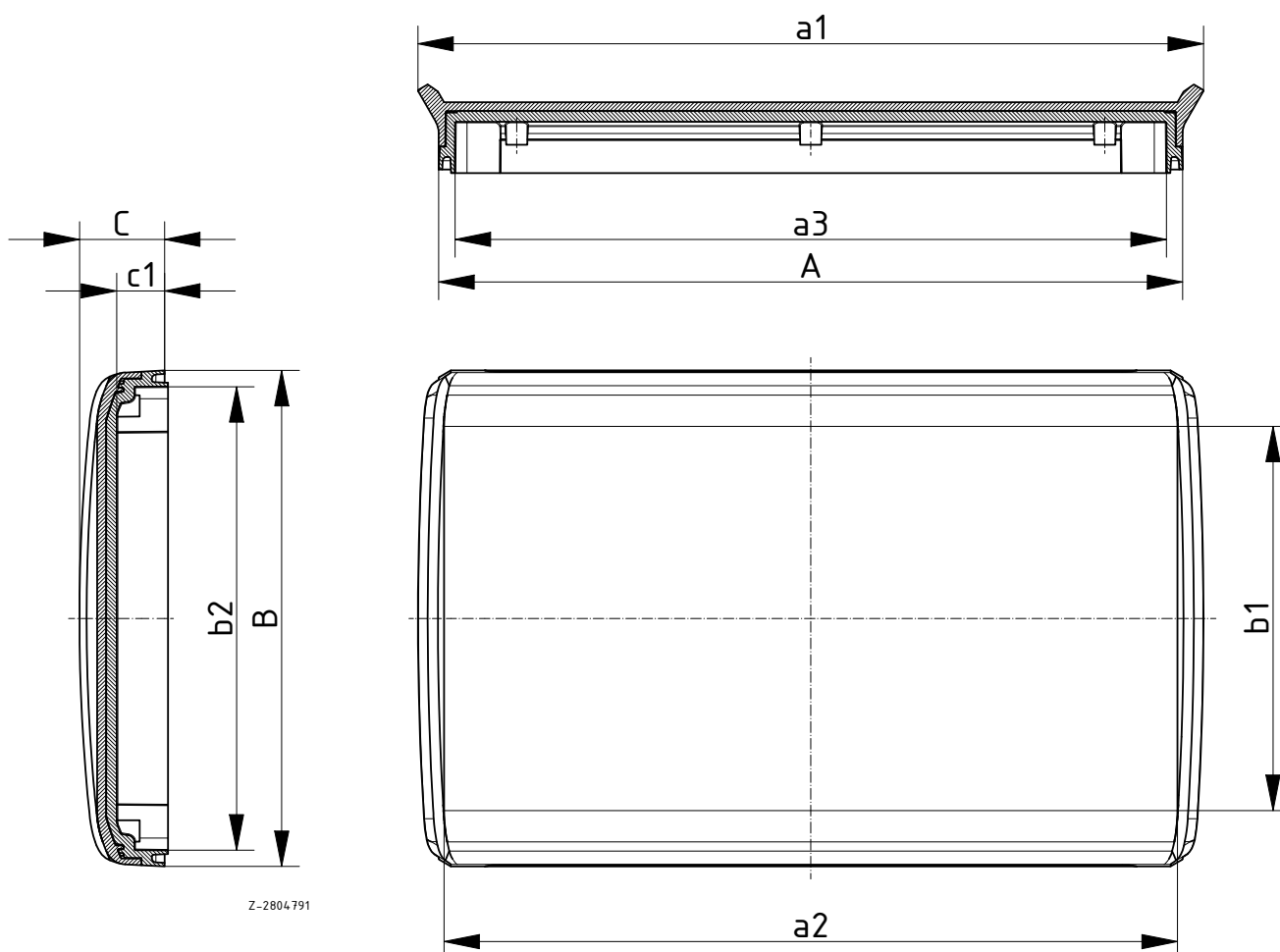
Enclosure lid, plastic, transparent, with silicone seal

Model	Order no.	A	B	C	a1	a2	a3	b1	b2	c1	IP	IK
BOV 1209 FG-9003 - OT G-SILC	48422230.SILC	125	88	19	133	121.7	115.8	66.2	78.9	10	66	08
BOV 1712 FG-9003 - OT G-SILC	48424330.SILC	170	120	21	180.3	168.4	160.8	85.3	110.9	11	66	08
BOV 2114 FG-9003 - OT G-SILC	48426430.SILC	210	140	24	221.7	207	200.8	108.5	130.8	13.5	66	08
BOV 2819 FG-9003 - OT G-SILC	48428630.SILC	275	185	29	286.7	271.4	263.7	150.8	173.8	18	66	08

Scope Of Delivery:

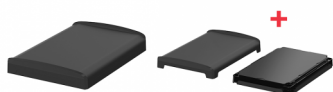
Function lid, design cover

Notes: The dimensions are approximate values. The exact values can be found in the respective product drawing.



BoVersa

Enclosure lid, plastic, black



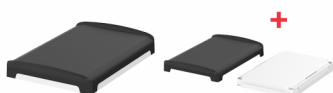
Enclosure lid, plastic, black

Model	Order no.	A	B	C	a1	a2	a3	b1	b2	c1	IP	IK
BOV 1209 FG-9005 - OT-9005	48412255	125	88	19	133	121.7	115.8	66.2	78.9	10	66	08
BOV 1712 FG-9005 - OT-9005	48414355	170	120	21	180.3	168.4	160.8	85.3	110.9	11	66	08
BOV 2114 FG-9005 - OT-9005	48416455	210	140	24	221.7	207	200.8	108.5	130.8	13.5	66	08
BOV 2819 FG-9005 - OT-9005	48418655	275	185	29	286.7	271.4	263.7	150.8	173.8	18	66	08

Scope Of Delivery:

Function lid, design cover

Notes: The dimensions are approximate values. The exact values can be found in the respective product drawing.



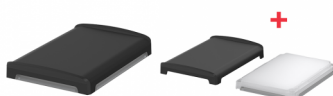
Enclosure lid, plastic, black/white

Model	Order no.	A	B	C	a1	a2	a3	b1	b2	c1	IP	IK
BOV 1209 FG-9005 - OT-9003	48412253	125	88	19	133	121.7	115.8	66.2	78.9	10	66	08
BOV 1712 FG-9005 - OT-9003	48414353	170	120	21	180.3	168.4	160.8	85.3	110.9	11	66	08
BOV 2114 FG-9005 - OT-9003	48416453	210	140	24	221.7	207	200.8	108.5	130.8	13.5	66	08
BOV 2819 FG-9005 - OT-9003	48418653	275	185	29	286.7	271.4	263.7	150.8	173.8	18	66	08

Scope Of Delivery:

Function lid, design cover

Notes: The dimensions are approximate values. The exact values can be found in the respective product drawing.



Enclosure lid, plastic, translucent, with silicone seal

Model	Order no.	A	B	C	a1	a2	a3	b1	b2	c1	IP	IK
BOV 1209 FG-9005 - OT LL-SILC	48432251.SILC	125	88	19	133	121.7	115.8	66.2	78.9	10	66	08
BOV 1712 FG-9005 - OT LL-SILC	48434351.SILC	170	120	21	180.3	168.4	160.8	85.3	110.9	11	66	08
BOV 2114 FG-9005 - OT LL-SILC	48436451.SILC	210	140	24	221.7	207	200.8	108.5	130.8	13.5	66	08
BOV 2819 FG-9005 - OT LL-SILC	48438651.SILC	275	185	29	286.7	271.4	263.7	150.8	173.8	18	66	08

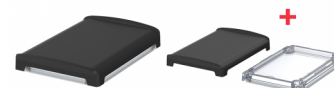
Scope Of Delivery:

Function lid, design cover

Notes: The dimensions are approximate values. The exact values can be found in the respective product drawing.

BoVersa

Enclosure lid, plastic, black



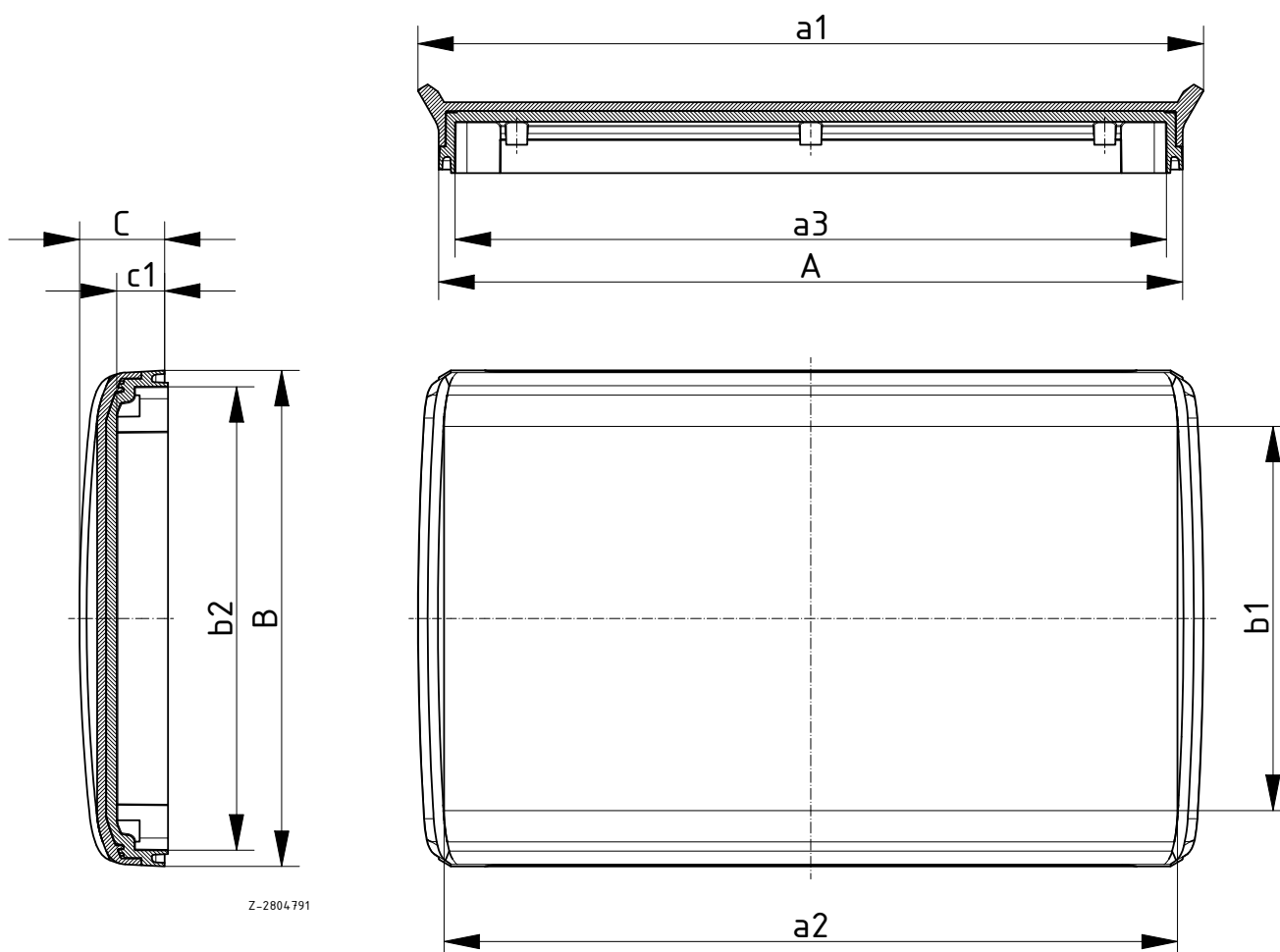
Enclosure lid, plastic, transparent, with silicone seal

Model	Order no.	A	B	C	a1	a2	a3	b1	b2	c1	IP	IK
BOV 1209 FG-9005 - OT G-SILC	48422250.SILC	125	88	19	133	121.7	115.8	66.2	78.9	10	66	08
BOV 1712 FG-9005 - OT G-SILC	48424350.SILC	170	120	21	180.3	168.4	160.8	85.3	110.9	11	66	08
BOV 2114 FG-9005 - OT G-SILC	48426450.SILC	210	140	24	221.7	207	200.8	108.5	130.8	13.5	66	08
BOV 2819 FG-9005 - OT G-SILC	48428650.SILC	275	185	29	286.7	271.4	263.7	150.8	173.8	18	66	08

Scope Of Delivery:

Function lid, design cover

Notes: The dimensions are approximate values. The exact values can be found in the respective product drawing.



BoVersa

Enclosure lid, plastic with lowered surface, white



Enclosure lid, plastic with lowered surface, white

Model	Order no.	A	B	C	a1	a2	a3	b1	b2	c1	IP	IK
BOV 1209 FO-9003 - OT-9003	48312233	125	88	19	133	112	115.8	64	78.9	10	66	08
BOV 1712 FO-9003 - OT-9003	48314333	170	120	21	180.3	157	160.8	88	110.9	11	66	08
BOV 2114 FO-9003 - OT-9003	48316433	210	140	24	221.7	197	200.8	105	130.8	13.5	66	08
BOV 2819 FO-9003 - OT-9003	48318633	275	185	29	286.7	258	263.7	150	173.8	18	66	08

Scope Of Delivery:

Function lid, design cover

Notes: The dimensions are approximate values. The exact values can be found in the respective product drawing.



Enclosure lid, plastic with lowered surface, two-coloured, black/white

Model	Order no.	A	B	C	a1	a2	a3	b1	b2	c1	IP	IK
BOV 1209 FO-9003 - OT-9005	48312235	125	88	19	133	112	115.8	64	78.9	10	66	08
BOV 1712 FO-9003 - OT-9005	48314335	170	120	21	180.3	157	160.8	88	110.9	11	66	08
BOV 2114 FO-9003 - OT-9005	48316435	210	140	24	221.7	197	200.8	105	130.8	13.5	66	08
BOV 2819 FO-9003 - OT-9005	48318635	275	185	29	286.7	258	263.7	150	173.8	18	66	08

Scope Of Delivery:

Function lid, design cover

Notes: The dimensions are approximate values. The exact values can be found in the respective product drawing.



Enclosure lid, plastic with lowered surface, translucent, with silicone seal

Model	Order no.	A	B	C	a1	a2	a3	b1	b2	c1	IP	IK
BOV 1209 FO-9003 - OT LL-SILC	48332231.SILC	125	88	19	133	112	115.8	64	78.9	10	66	08
BOV 1712 FO-9003 - OT LL-SILC	48334331.SILC	170	120	21	180.3	157	160.8	88	110.9	11	66	08
BOV 2114 FO-9003 - OT LL-SILC	48336431.SILC	210	140	24	221.7	197	200.8	105	130.8	13.5	66	08
BOV 2819 FO-9003 - OT LL-SILC	48338631.SILC	275	185	29	286.7	258	263.7	150	173.8	18	66	08

Scope Of Delivery:

Function lid, design cover

Notes: The dimensions are approximate values. The exact values can be found in the respective product drawing.



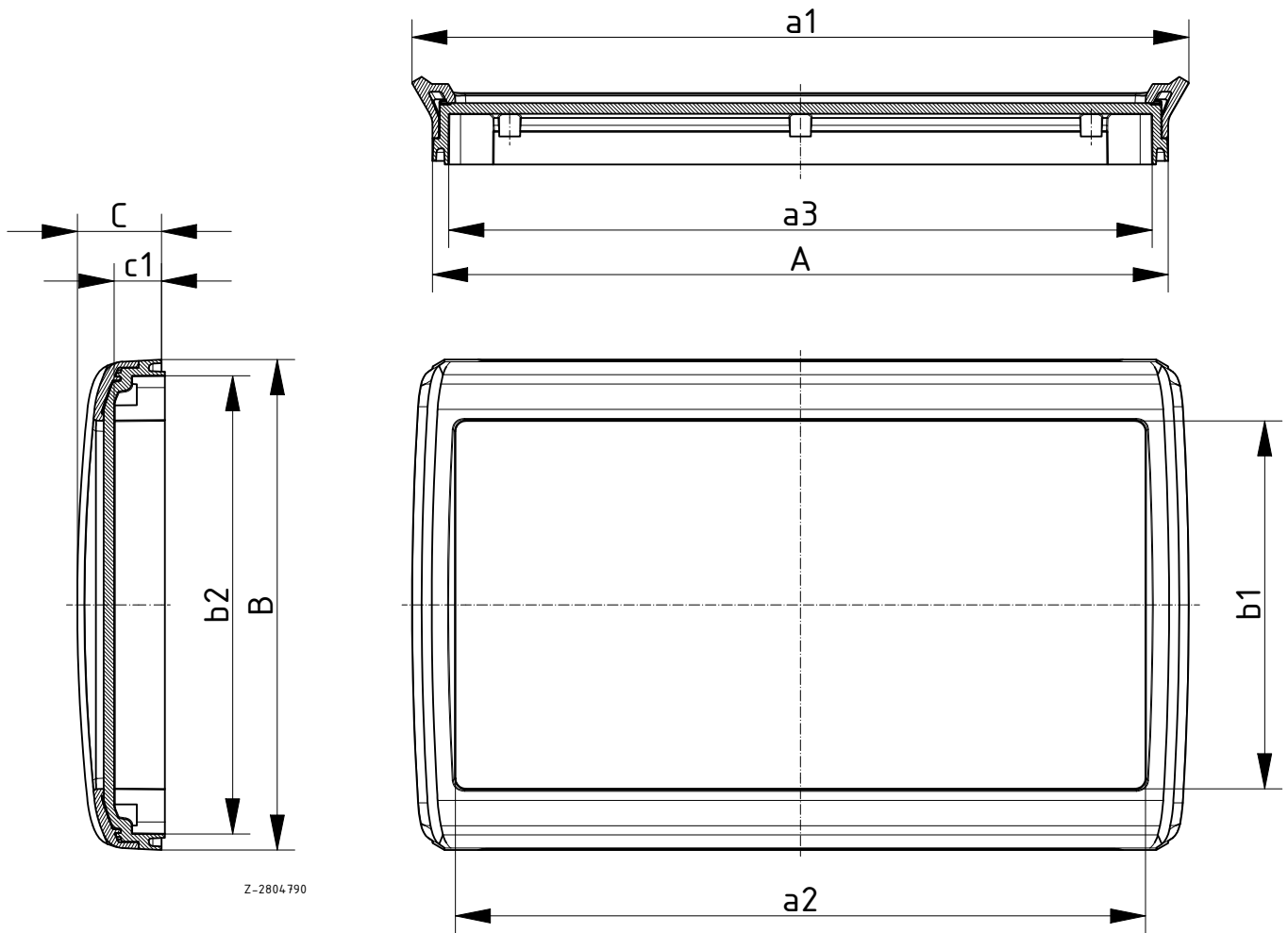
Enclosure lid, plastic with lowered surface, transparent, with silicone seal

Model	Order no.	A	B	C	a1	a2	a3	b1	b2	c1	IP	IK
BOV 1209 FO-9003 - OT G-SILC	48322230.SILC	125	88	19	133	112	115.8	64	78.9	10	66	08
BOV 1712 FO-9003 - OT G-SILC	48324330.SILC	170	120	21	180.3	157	160.8	88	110.9	11	66	08
BOV 2114 FO-9003 - OT G-SILC	48326430.SILC	210	140	24	221.7	197	200.8	105	130.8	13.5	66	08
BOV 2819 FO-9003 - OT G-SILC	48328630.SILC	275	185	29	286.7	258	263.7	150	173.8	18	66	08

Scope Of Delivery:

Function lid, design cover

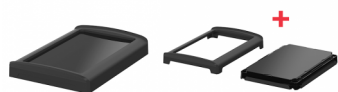
Notes: The dimensions are approximate values. The exact values can be found in the respective product drawing.



Z-2804.790

BoVersa

Enclosure lid, plastic with lowered surface, black



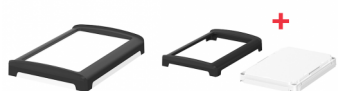
Enclosure lid, plastic with lowered surface, black

Model	Order no.	A	B	C	a1	a2	a3	b1	b2	c1	IP	IK
BOV 1209 FO-9005 - OT-9005	48312255	125	88	19	133	112	115.8	64	78.9	10	66	08
BOV 1712 FO-9005 - OT-9005	48314355	170	120	21	180.3	157	160.8	88	110.9	11	66	08
BOV 2114 FO-9005 - OT-9005	48316455	210	140	24	221.7	197	200.8	105	130.8	13.5	66	08
BOV 2819 FO-9005 - OT-9005	48318655	275	185	29	286.7	258	263.7	150	173.8	18	66	08

Scope Of Delivery:

Function lid, design cover

Notes: The dimensions are approximate values. The exact values can be found in the respective product drawing.



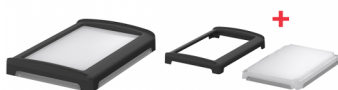
Enclosure lid, plastic with lowered surface, two-coloured, black/white

Model	Order no.	A	B	C	a1	a2	a3	b1	b2	c1	IP	IK
BOV 1209 FO-9005 - OT-9003	48312253	125	88	19	133	112	115.8	64	78.9	10	66	08
BOV 1712 FO-9005 - OT-9003	48314353	170	120	21	180.3	157	160.8	88	110.9	11	66	08
BOV 2114 FO-9005 - OT-9003	48316453	210	140	24	221.7	197	200.8	105	130.8	13.5	66	08
BOV 2819 FO-9005 - OT-9003	48318653	275	185	29	286.7	258	263.7	150	173.8	18	66	08

Scope Of Delivery:

Function lid, design cover

Notes: The dimensions are approximate values. The exact values can be found in the respective product drawing.



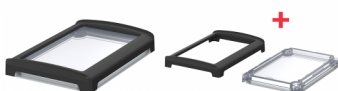
Enclosure lid, plastic with lowered surface, translucent, with silicone seal

Model	Order no.	A	B	C	a1	a2	a3	b1	b2	c1	IP	IK
BOV 1209 FO-9005 - OT LL-SILC	48332251.SILC	125	88	19	133	112	115.8	64	78.9	10	66	08
BOV 1712 FO-9005 - OT LL-SILC	48334351.SILC	170	120	21	180.3	157	160.8	88	110.9	11	66	08
BOV 2114 FO-9005 - OT LL-SILC	48336451.SILC	210	140	24	221.7	197	200.8	105	130.8	13.5	66	08
BOV 2819 FO-9005 - OT LL-SILC	48338651.SILC	275	185	29	286.7	258	263.7	150	173.8	18	66	08

Scope Of Delivery:

Function lid, design cover

Notes: The dimensions are approximate values. The exact values can be found in the respective product drawing.



Enclosure lid, plastic with lowered surface, transparent, with silicone seal

Model	Order no.	A	B	C	a1	a2	a3	b1	b2	c1	IP	IK
BOV 1209 FO-9005 - OT G-SILC	48322250.SILC	125	88	19	133	112	115.8	64	78.9	10	66	08
BOV 1712 FO-9005 - OT G-SILC	48324350.SILC	170	120	21	180.3	157	160.8	88	110.9	11	66	08
BOV 2114 FO-9005 - OT G-SILC	48326450.SILC	210	140	24	221.7	197	200.8	105	130.8	13.5	66	08
BOV 2819 FO-9005 - OT G-SILC	48328650.SILC	275	185	29	286.7	258	263.7	150	173.8	18	66	08

Scope Of Delivery:

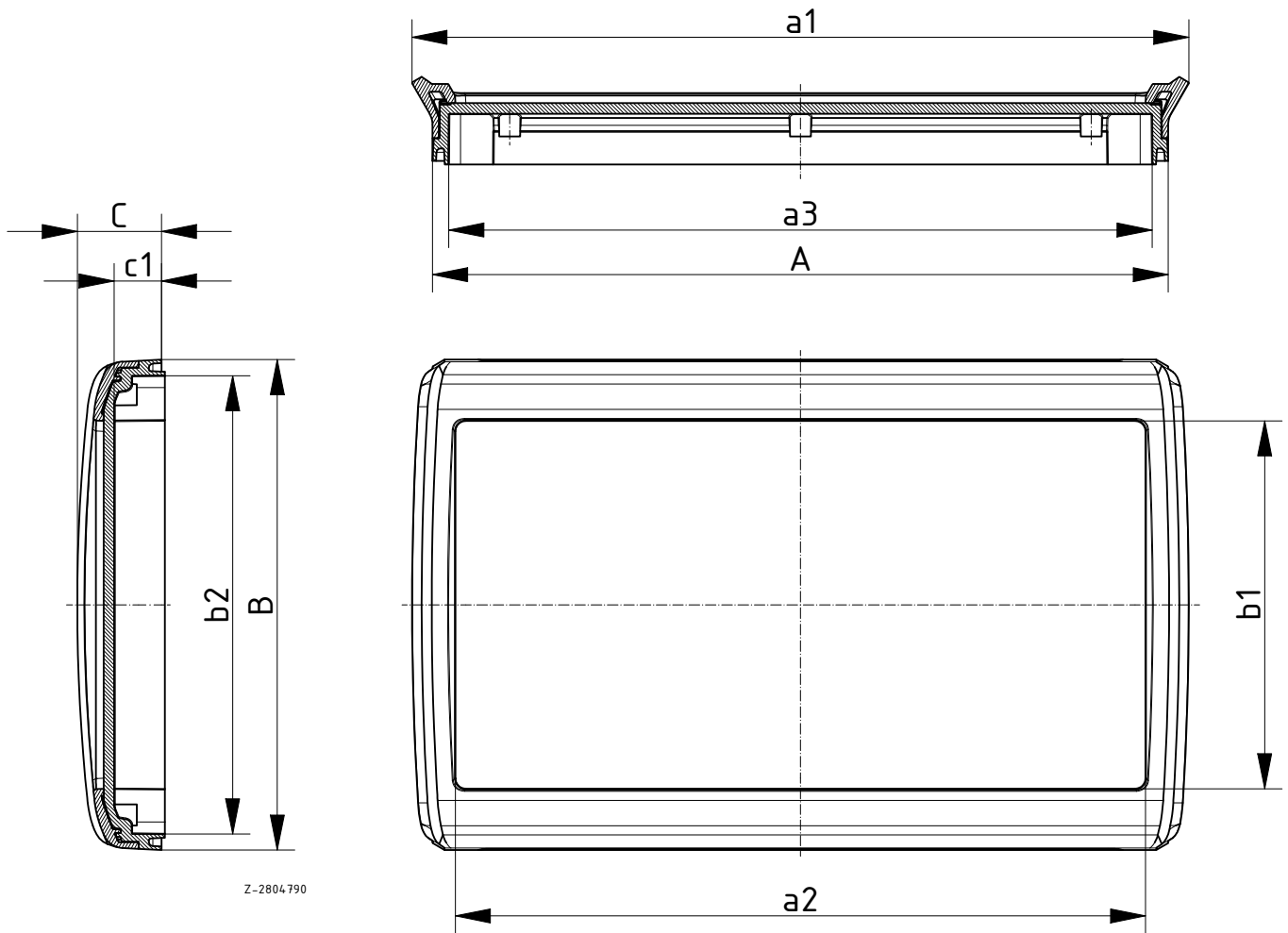
Function lid, design cover

Notes: The dimensions are approximate values. The exact values can be found in the respective product drawing.



BOPLA

A Phoenix Mecano Company



Z-2804.790

BoVersa

Mounting panels



Mounting panels

Model	Order no.
BOV M 1209 PC	48802201
BOV M 1209 Alu	48802202
BOV M 1712 PC	48804301
BOV M 1712 Alu	48804302
BOV M 2114 PC	48806401
BOV M 2114 Alu	48806402
BOV M 2819 PC	48808601
BOV M 2819 Alu	48808602

Scope Of Delivery:

1 mounting panel

Notes: Mounting plates with ending "PC" for all plastic enclosure parts, mounting plates with ending "Alu" for all aluminium enclosure parts.

BoVersa

Accessories

Wall brackets

Model	Order no.
BOV 09 WL 9003	48800203
BOV 09 WL 9005	48800205
BOV 12 WL 9003	48800303
BOV 12 WL 9005	48800305
BOV 14 WL 9003	48800403
BOV 14 WL 9005	48800405
BOV 19 WL 9003	48800603
BOV 19 WL 9005	48800605



Scope Of Delivery:

2 wall brackets (polycarbonate UL 94 V0), 4 screws

Mast mounting, stainless steel V2A, uncoated

Model	Order no.
BOV 09 MH-2	48800201
BOV 12 MH-2	48800301
BOV 14 MH-2	48800401
BOV 19 MH-2	48800601



Scope Of Delivery:

MH: 1 set (2 pieces)

BFS: 20 pieces



BOPLA

A Phoenix Mecano Company

Bopla Gehäuse Systeme GmbH
Borsigstraße 17-25 | D-32257 Bünde
Phone +49 (0) 5223-969-0
info@bopla.de | www.bopla.de