

The product advantages



Recessed area in the lid for the mounting of membrane keypads or display screens (BOP 500, 700, 900: 1.8 mm; BOP 7.0, BOP 10.1: 2.5 mm).



Variants with and without battery compartment (up to size BOP 900).



Enclosure protection by means of optional impact protection in combination with design seal; available in several colours. Ergonomic grip recesses on the enclosure and also on the impact protection (BOP 7.0 or BOP 10.1 respectively).



Integrated VESA mounting (75 x 75mm), also used for mounting the optional wall fitting (BOP 7.0, BOP 10.1).



Optimised for the integration of touch screens and Li-Ion rechargeable battery system 18650 (BOP 7.0 or BOP 10.1 respectively).



Quick-Finder:
www.bopla.de/35

Examples of use





BOPLA

A Phoenix Mecano Company

BoPad



Colour:

● Black, similar to RAL 9005

● White, similar to RAL 9016

Special colours on request

Protection class:

IP40, with seal: IP65 DIN EN 60529

Material:

Enclosure: ABS

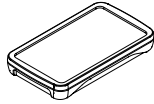
Seal / impact protection: TPE

For details see technical information.

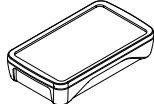


Enclosure sizes

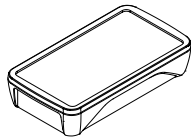
BOP 520



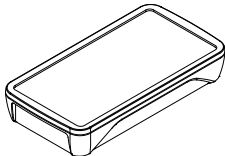
BOP 500



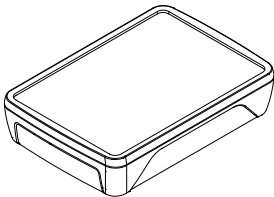
BOP 700



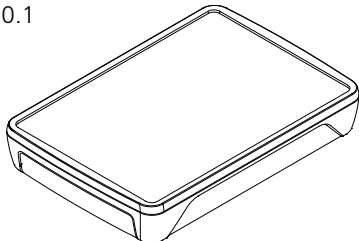
BOP 900



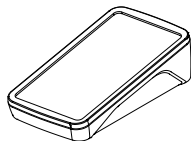
BOP 7.0



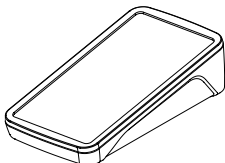
BOP 10.1



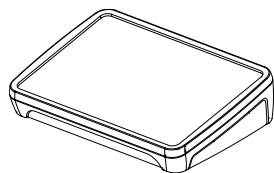
BOP 700 PH



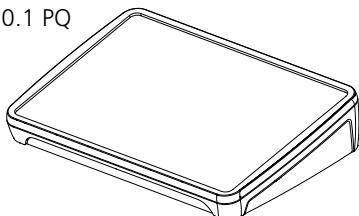
BOP 900 PH



BOP 7.0 PQ

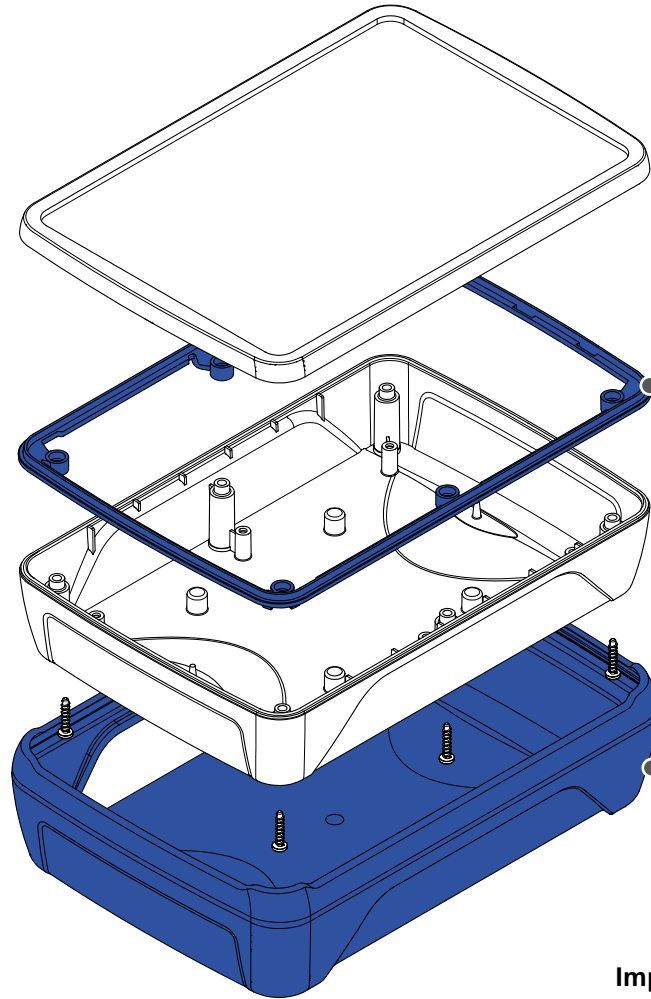


BOP 10.1 PQ



Design types

Dimensions



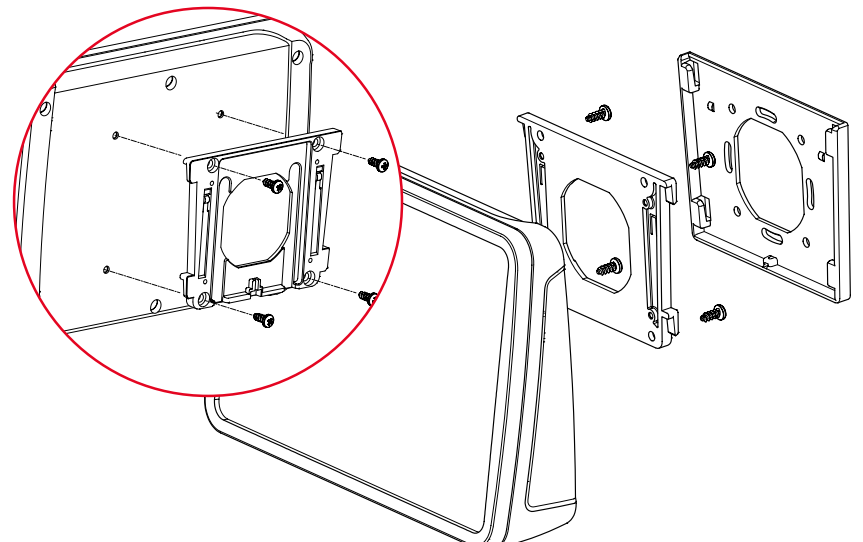
Design seal



Impact protection

Wall fitting

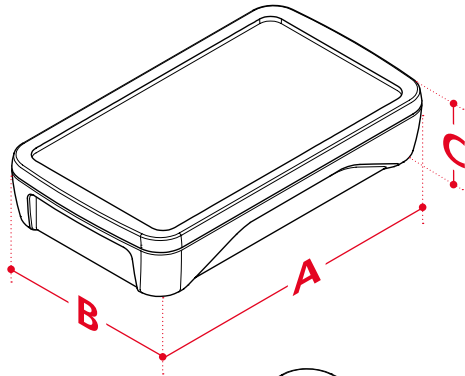
to VESA standard 75 x 75 mm



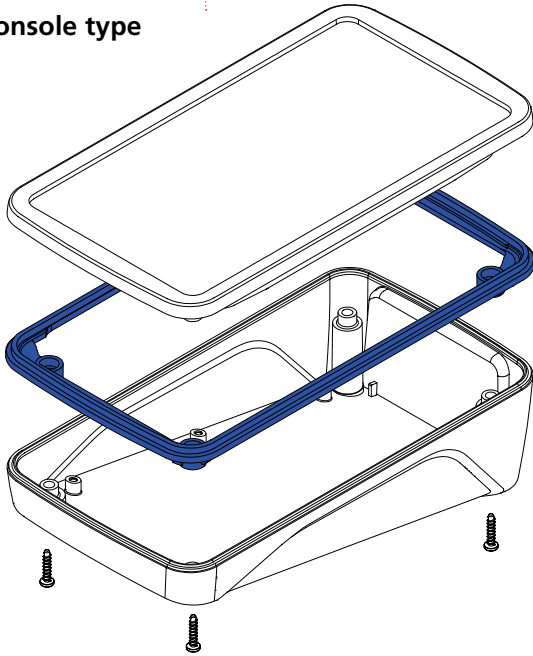
BoPad



BOPLA
A Phoenix Mecano Company

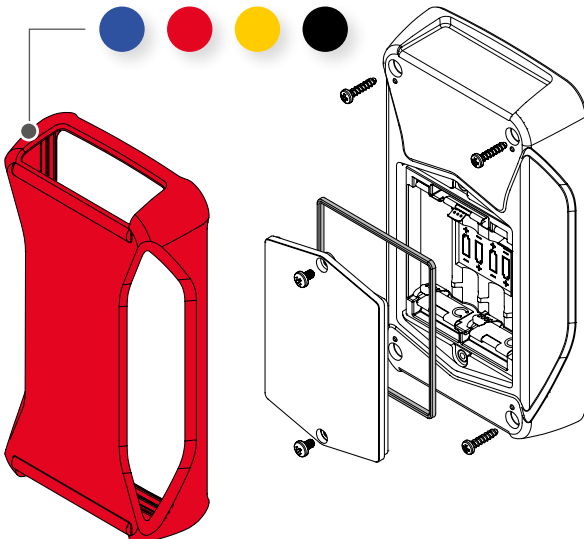


Console type



Impact protection

Battery compartment



Dimensions

Model	A	B	C (Flat)	C (Console)
BOP 520	130	75	17.5	-
BOP 500	130	75	26	-
BOP 700	165	90	34	47.5
BOP 900	200	105	34	53.6
BOP 7.0	215	150	46	53
BOP 10.1	285	198	46	61.2

Variants

Model	Battery compartment	Console type	VESA fitting	Touch/Display optimised
BOP 520	✓			2.4", 2.8"
BOP 500	✓			2.4", 2.8"
BOP 700	✓	✓		3.5", 4.3"
BOP 900	✓	✓	✓*	3.5", 4.3", 5.0"
BOP 7.0		✓	✓	7"
BOP 10.1		✓	✓	10.1"

* Additional processing of the enclosure is required

Accessories



Rechargeable battery holder for 18650 Li-Ion batteries for BOP 7.0 / BOP 10.1

Universal VESA standard (75 x 75) wall fitting, glass fibre reinforced polyamide



Screw covers for enclosure screws

BoPad

Hand-held enclosure



Hand-held enclosure, IP40 (IP65)

Model	Order no.	A	B	C	a1	a2	b1	b2	c1	c3	IP	Colour
BOP 520-9005	35152015	130	75	17.5	114	115.8	64	62.6	10	2.5	40	Black
BOP 520-9016	35152016	130	75	17.5	114	115.8	64	62.6	10	2.5	40	White
BOP 500-9005	35150015	130	75	26	114	115.8	64	62.6	18.5	2.5	40	Black
BOP 500-9016	35150016	130	75	26	114	115.8	64	62.6	18.5	2.5	40	White
BOP 700-9005	35170015	165	90	34	147	147.3	77	74.1	25.5	3	40	Black
BOP 700-9016	35170016	165	90	34	147	147.3	77	74.1	25.5	3	40	White
BOP 900-9005	35190015	200	105	34	180	181.9	90	89.1	25.5	3	40	Black
BOP 900-9016	35190016	200	105	34	180	181.9	90	89.1	25.5	3	40	White

Scope Of Delivery:

Lid and base, 4 screws

Notes: Upgradable to IP65 with design seal BOP_DI. The dimensions are approximate values. The exact values can be found in the respective product drawing.



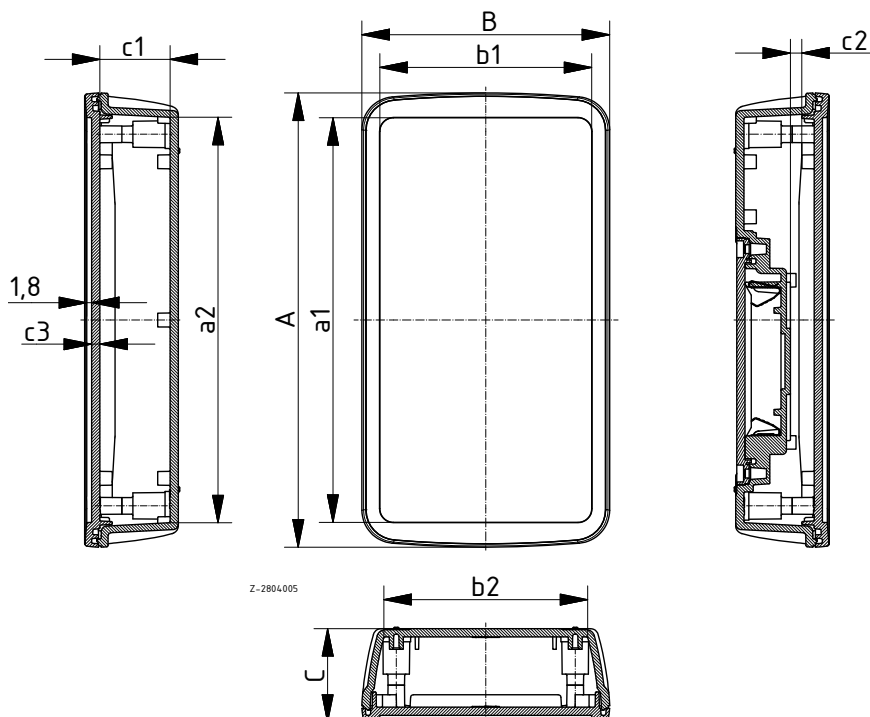
Hand-held enclosure with battery compartment, IP40 (IP65)

Model	Order no.	A	B	C	a1	a2	b1	b2	c1	c2	c3	IP	Colour
BOP 500 BE4MC-9005	35150025	130	75	26	114	115.8	64	62.6	18.5	6.1	2.5	40	Black
BOP 500 BE4MC-9016	35150026	130	75	26	114	115.8	64	62.6	18.5	6.1	2.5	40	White
BOP 700 BE4MN-9005	35170025	165	90	34	147	147.3	77	74.1	25.5	8.6	3	40	Black
BOP 700 BE4MN-9016	35170026	165	90	34	147	147.3	77	74.1	25.5	8.6	3	40	White
BOP 900 BE4MN-9005	35190025	200	105	34	180	181.9	90	89.1	25.5	8.6	3	40	Black
BOP 900 BE4MN-9016	35190026	200	105	34	180	181.9	90	89.1	25.5	8.6	3	40	White

Scope Of Delivery:

Lid and base, 4 screws, battery compartment lid, screws, battery contacts

Notes: Upgradable to IP65 with design seal BOP_DI. The dimensions are approximate values. The exact values can be found in the respective product drawing.



BoPad

Hand-held enclosure

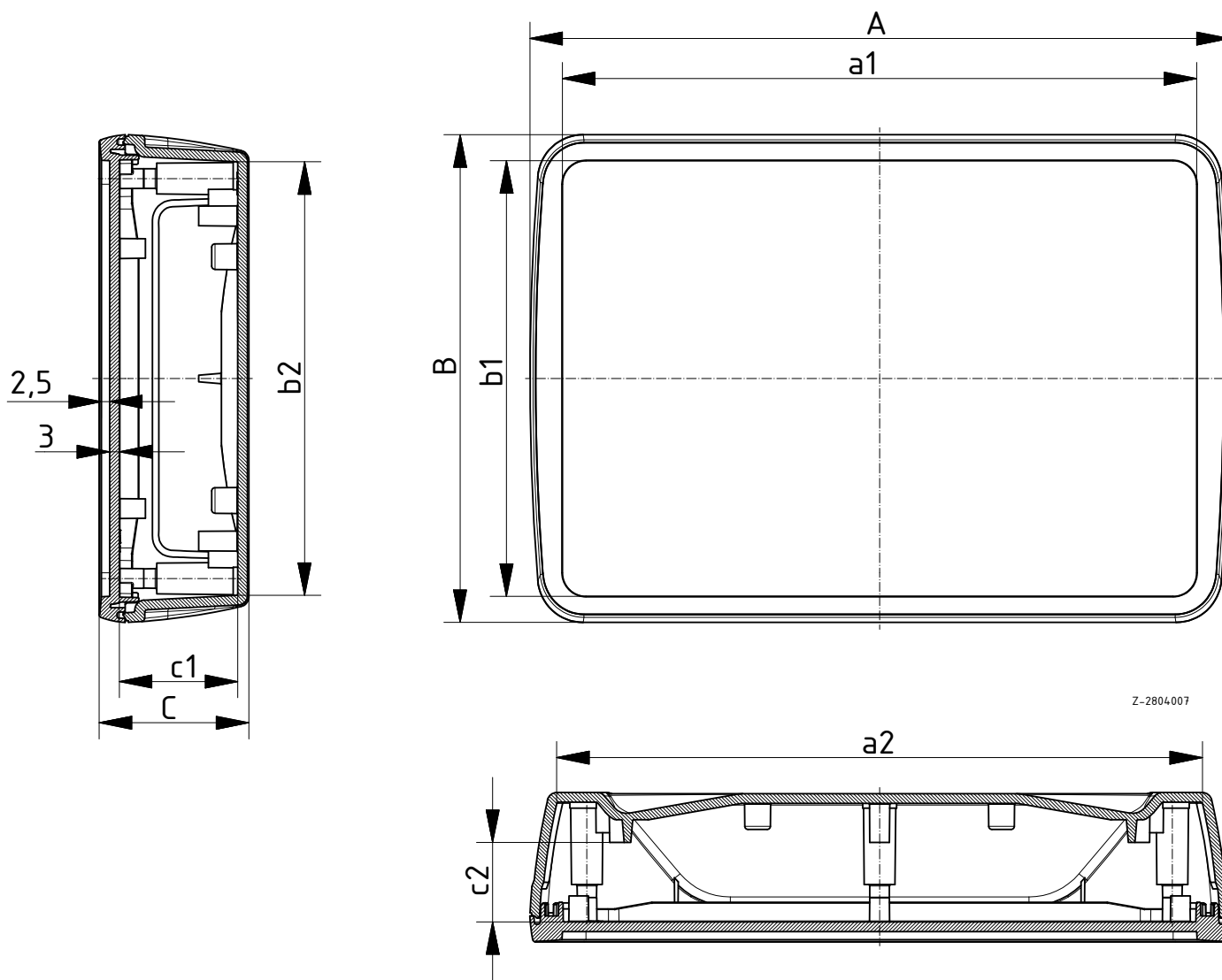
Touch/operating enclosure, IP40 (IP65)

Model	Order no.	A	B	C	a1	a2	b1	b2	c1	c2	IP	Colour
BOP 7.0-9005	35107015	215	150	46	195	193.9	134	133.4	36.4	24.4	40	Black
BOP 7.0-9016	35107016	215	150	46	195	193.9	134	133.4	36.4	24.4	40	White
BOP 10.1-9005	35110115	285	198	46	262	262.9	181	180.9	36.4	24.4	40	Black
BOP 10.1-9016	35110116	285	198	46	262	262.9	181	180.9	36.4	24.4	40	White

Scope Of Delivery:

Lid and base, 6 screws

Notes: The enclosures are designed for the integration of 7.0" and 10.1" touch screens / displays. Upgradable to IP65 with design seal BOP_DI. The dimensions are approximate values. The exact values can be found in the respective product drawing.



BoPad

Console enclosure upright



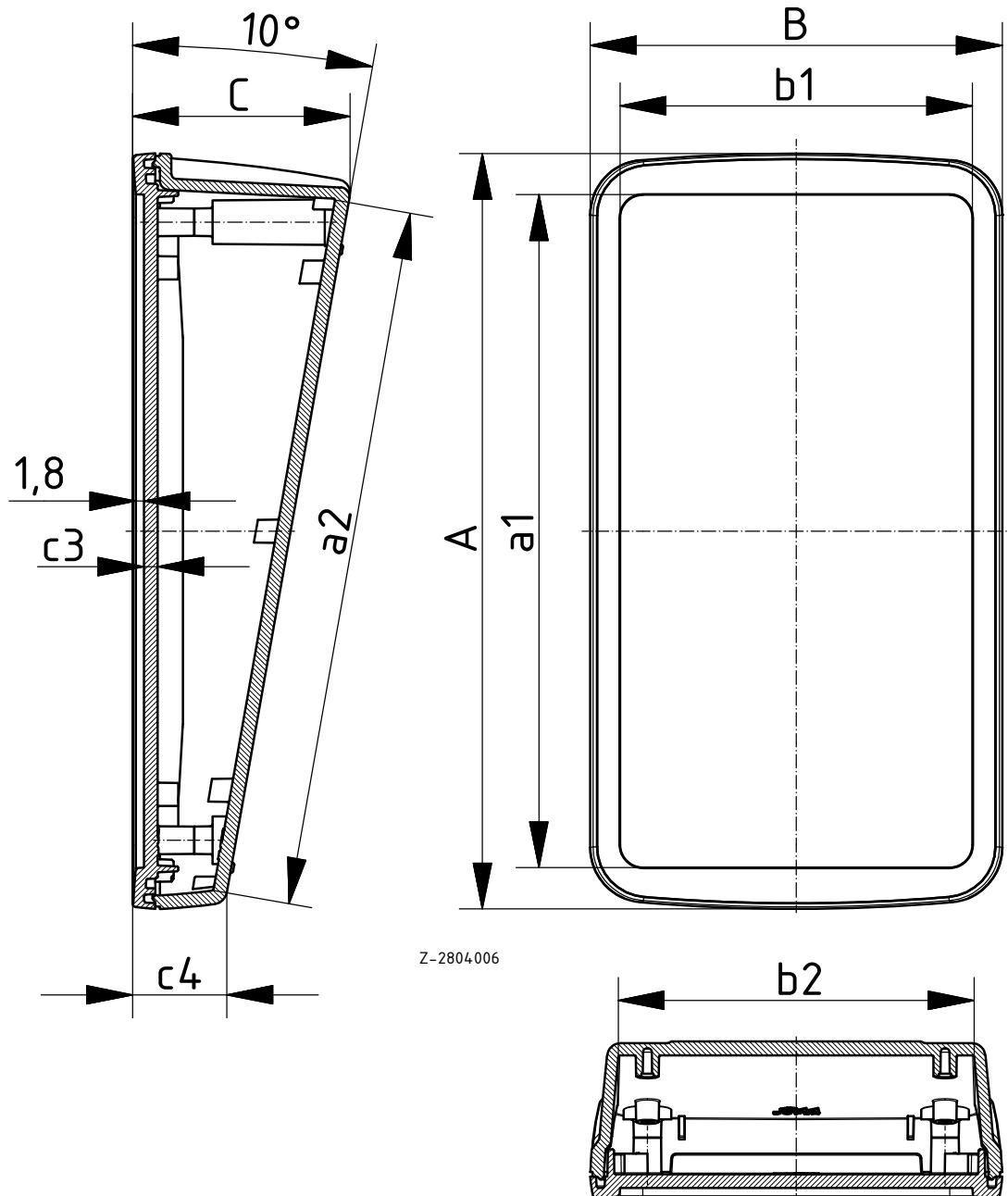
Desktop enclosure, IP40 (IP65)

Model	Order no.	A	B	C	a1	a2	b1	b2	c3	c4	IP	Colour
BOP 700 PH-9005	35170035	165	90	47.5	147	153.4	77	77.1	3	20.6	40	Black
BOP 700 PH-9016	35170036	165	90	47.5	147	153.4	77	77.1	3	20.6	40	White
BOP 900 PH-9005	35190035	200	105	53.6	180	188.8	90	91.5	3	20.6	40	Black
BOP 900 PH-9016	35190036	200	105	53.6	180	188.8	90	91.5	3	20.6	40	White

Scope Of Delivery:

Lid and base, 4 screws, 4 rubber feet

Notes: Upgradable to IP65 with design seal BOP_DI. The dimensions are approximate values. The exact values can be found in the respective product drawing.



BoPad

Console enclosure crosswise

Touch/operating console enclosure horizontal, IP40 (IP65)

Model	Order no.	A	B	C	a1	a2	b1	b2	c3	IP	Colour
BOP 7.0 PQ-9005	35107045	215	150	53	195	196.9	134	135.1	28.7	40	Black
BOP 7.0 PQ-9016	35107046	215	150	53	195	196.9	134	135.1	28.7	40	White
BOP 10.1 PQ-9005	35110145	285	198	61.2	262	266	181	182.8	28.7	40	Black
BOP 10.1 PQ-9016	35110146	285	198	61.2	262	266	181	182.8	28.7	40	White

Scope Of Delivery:

Lid and base, screws, 4 rubber feet

Notes: The enclosures are designed for the integration of 7.0" and 10.1" touch screens / displays. Upgradable to IP65 with design seal BOP_DI. The dimensions are approximate values. The exact values can be found in the respective product drawing.



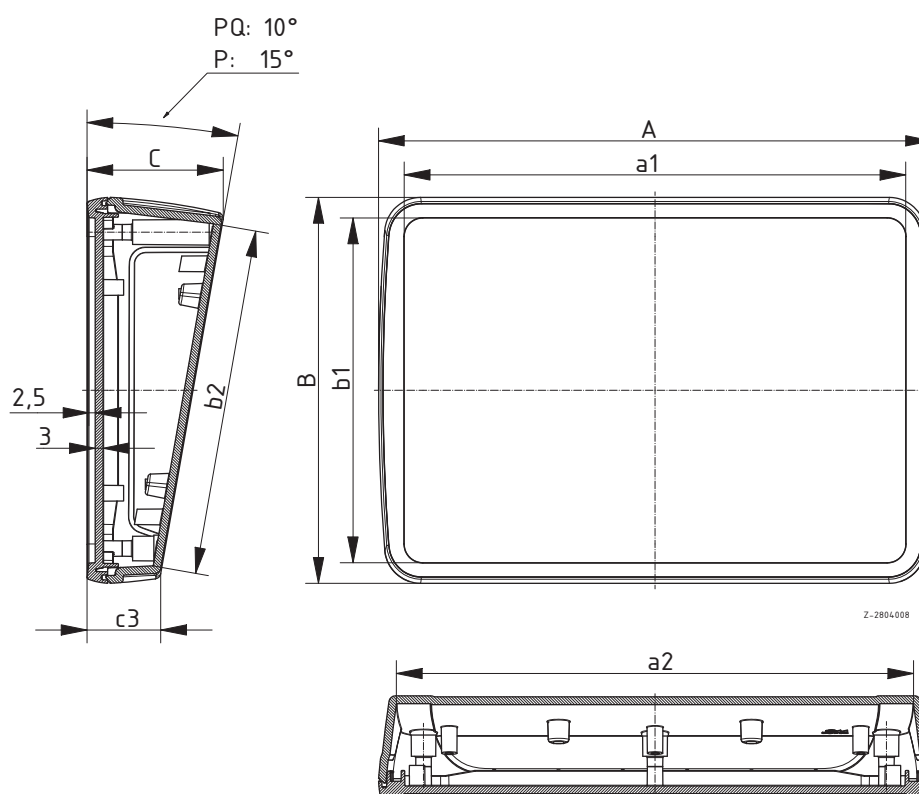
Touch/Operating console enclosure with recessed grips, 15°, crosswise, IP40 (IP65)

Model	Order no.	A	B	C	a1	a2	b1	b2	c3	IP	Colour
BOP 7.0 P-9005	35107075	215	150	75.7	195	179.3	134	119.9	39.4	40	Black
BOP 7.0 P-9016	35107076	215	150	75.7	195	179.3	134	119.9	39.4	40	White
BOP 10.1 P-9005	35110175	285	198	92.9	262	249.3	181	161.8	44.3	40	Black
BOP 10.1 P-9016	35110176	285	198	92.9	262	249.3	181	161.8	44.3	40	White

Scope Of Delivery:

Lid and base, screws, 4 rubber feet

Notes: The enclosures are designed for the integration of 7.0" and 10.1" touch screens / displays. Upgradable to IP65 with design seal BOP_DI. The dimensions are approximate values. The exact values can be found in the respective product drawing.



BoPad

Console enclosure square



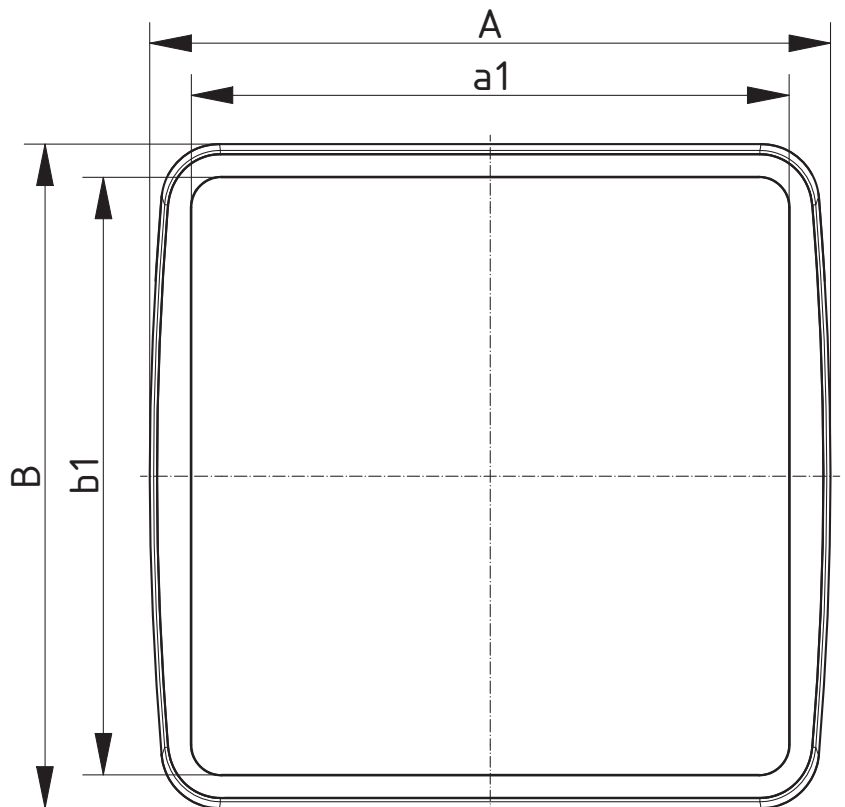
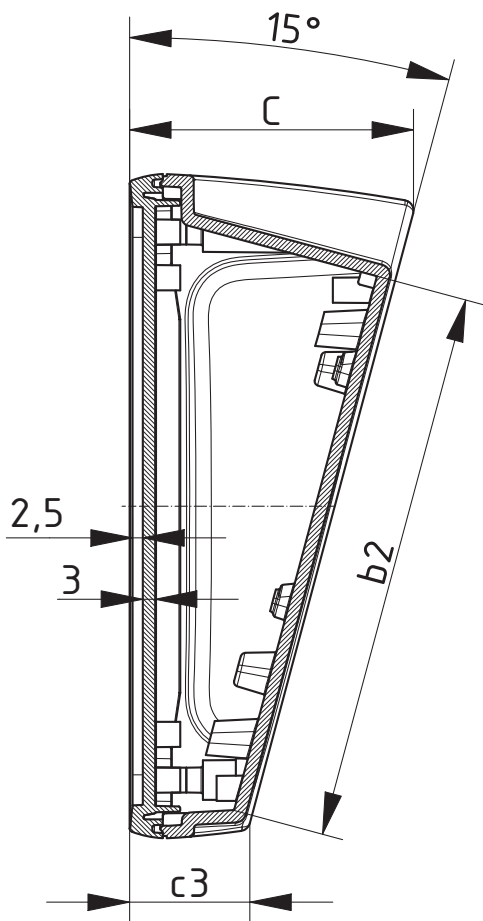
Touch/Operating console with recessed grips, 15°, square, IP40 (IP65)

Model	Order no.	A	B	C	a1	a2	b1	b2	c3	IP	Colour
BOP 1212 P-9005	35112075	122	118	57.6	103	92.3	103	94.6	29	40	Black
BOP 1212 P-9016	35112076	122	118	57.6	103	92.3	103	94.6	29	40	White
BOP 1616 P-9005	35116075	164	160	68.4	144	128.3	144	133.2	29	40	Black
BOP 1616 P-9016	35116076	164	160	68.4	144	128.3	144	133.2	29	40	
BOP 2222 P-9005	35122075	226	220	83.7	203	190.3	203	186.8	29	40	Black
BOP 2222 P-9016	35122076	226	220	83.7	203	190.3	203	186.8	29	40	White

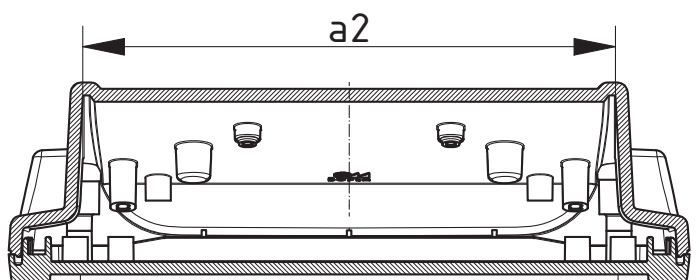
Scope Of Delivery:

Lid and base, screws, 4 rubber feet

Notes: Upgradable to IP65 with design seal BOP_DI. The dimensions are approximate values. The exact values can be found in the respective product drawing.



Z-2804710



BoPad

BoPad 10.1 HDMI Starter Kit

BoPad 10.1 HDMI Starter Kit

Model	Order no.	A	B	C	a1	a2	b1	b2	c3	IP	Colour
BoPad 10.1 HDMI Kit	35110175.HMI1	285	198	92.9	262	249.3	181	161.8	44.3	40	Black

Scope Of Delivery:

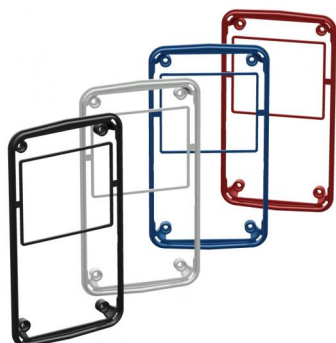
1 x BoPad 10.1 P (black, similar to 9005) including a mounted 10.1" display
1 x cable bushing (mounted) 6 x housing screws 6 x screw cover 4 x rubber feet 4 x attachment screws for Raspberry Pi 1 x custom-made shipment packaging



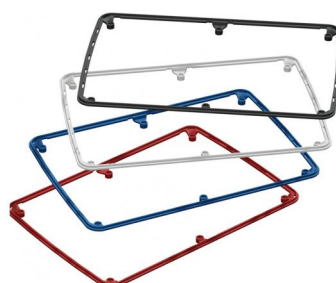
BoPad

Seals

Design seal, IP65



BOP 500 DI, BOP 700 DI, BOP 900 DI



BOP 7.0 DI, BOP 10.1 DI

Model	Order no.	IP	Note
BOP 500 DI-9005	35250005	65	For BOP 500, 520
BOP 500 DI-9016	35250006	65	For BOP 500, 520
BOP 500 DI-5005	35250000	65	For BOP 500, 520
BOP 500 DI-3001	35250001	65	For BOP 500, 520
BOP 700 DI-9005	35270005	65	
BOP 700 DI-9016	35270006	65	
BOP 700 DI-5005	35270000	65	
BOP 700 DI-3001	35270001	65	
BOP 900 DI-9005	35290005	65	
BOP 900 DI-9016	35290006	65	
BOP 900 DI-5005	35290000	65	
BOP 900 DI-3001	35290001	65	
BOP 7.0 DI-9005	35207005	65	
BOP 7.0 DI-9016	35207006	65	
BOP 7.0 DI-5005	35207000	65	
BOP 7.0 DI-3001	35207001	65	
BOP 10.1 DI-9005	35210105	65	
BOP 10.1 DI-9016	35210106	65	
BOP 10.1 DI-5005	35210100	65	
BOP 10.1 DI-3001	35210101	65	
BOP 1212 DI-5005	35212000	65	
BOP 1212 DI-3001	35212001	65	
BOP 1212 DI-9005	35212005	65	
BOP 1212 DI-9016	35212006	65	
BOP 1616 DI-5005	35216000	65	
BOP 1616 DI-3001	35216001	65	
BOP 1616 DI-9005	35216005	65	
BOP 1616 DI-9016	35216006	65	
BOP 2222 DI-5005	35222000	65	
BOP 2222 DI-3001	35222001	65	
BOP 2222 DI-9005	35222005	65	
BOP 2222 DI-9016	35222006	65	

Scope Of Delivery:

Enclosure seal and battery compartment seal

Notes: Use the battery compartment if required.

BoPad

Accessories

Impact protection

Model	Order no.	Colour
BOP 500 S-9005	35350005	Black
BOP 500 S-5005	35350000	Signal blue
BOP 500 S-3001	35350001	Signal red
BOP 500 S-1003	35350003	Signal yellow
BOP 700 S-9005	35370005	Black
BOP 700 S-5005	35370000	Signal blue
BOP 700 S-3001	35370001	Signal red
BOP 700 S-1003	35370003	Signal yellow
BOP 900 S-9005	35390005	Black
BOP 900 S-5005	35390000	Signal blue
BOP 900 S-3001	35390001	Signal red
BOP 900 S-1003	35390003	Signal yellow
BOP 7.0 S-9005	35307005	Black
BOP 7.0 S-5005	35307000	Signal blue
BOP 7.0 S-3001	35307001	Signal red
BOP 7.0 S-1003	35307003	Signal yellow
BOP 10.1 S-9005	35310105	Black
BOP 10.1 S-5005	35310100	Signal blue
BOP 10.1 S-3001	35310101	Signal red
BOP 10.1 S-1003	35310103	Signal yellow



Scope Of Delivery:

Impact protection

Notes: With impact protection, design seal BOP...DI must be mounted on the enclosure.

Screw covers for enclosure screws

Model	Order no.	Colour
BOP-SA-9005	35007405	Black
BOP-SA-9016	35007406	White

Scope Of Delivery:

24 pieces

Notes: If impact protection is fitted, the screw covers are not needed.



BoPad Accessories



Universal VESA standard wall fitting, polyamide glass fibre reinforced

Model	Order no.	Colour	Note
VESA 50 WB-9005	35112005	Black	50x50
VESA 50 WB-9016	35112016	White	50x50
VESA 75 WB-9005	35111005	Black	75x75
VESA 75 WB-9016	35111016	White	75x75

Scope Of Delivery:

Enclosure adapter, wall panel, 4 fastening screws, 1 fixing screw

Notes: Machining can allow enclosure adapter VESA 50 WB to be screwable to the BOP 500 / BOP 520 / BOP 700/BOP 1212 P. The wall plate is suitable for wall and VESA mounting. Wall fixing can be used for every enclosure with a fixing surface greater than 81x60 mm. Enclosure adapter VESA 75 WB for direct mounting on the BOP 7.0 / BOP 10.1 by means of processing, also for screwing onto the BOP 900. The wall panel is suitable for wall mounting, cavity wall box mounting and VESA mounting. The wall fitting can be used for every enclosure with a fixing area greater than/equal to 115x90 mm.



Rechargeable battery holder for 18650 Li-Ion batteries

Model	Order no.	Note
BH 18650-1 LF	59186511	For 1x 18650, connection with soldering tags
BH 18650-1 SMD	59186512	For 1x 18650, for SMD mounting
BH 18650-1 THM	59186513	For 1x 18650, for mounting with solder pins
BH 18650-2 LF	59186521	For 2x 18650, connection with soldering tags
BH 18650-2 SMD	59186522	For 2x 18650, for SMD mounting
BH 18650-2 THM	59186523	For 2x 18650, for mounting with solder pins

Scope Of Delivery:

1 rechargeable battery holder



BOPLA

A Phoenix Mecano Company