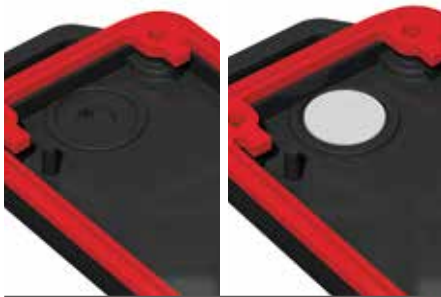


The product advantages



The different variants: With and without wall brackets, and screwing from the front and behind.



Pressure compensation by mounting the DAE-D11 pressure compensation membrane. For this purpose, drill (or punch) a hole in the moulded contour from the inside and glue the membrane in position.



Ingress protection IP65 by means of design seal; available in various colours. This increases the mounting height for the electronics by approx. 1.7 mm.



Other colours can be used depending on the project, for example translucent.



A 1.6 mm thick PCB can be clamped directly between the enclosure parts and optionally hot-caulked via two pins.



Quick-Finder:
www.bopla.de/16

Examples of use





BOPLA

A Phoenix Mecano Company

BoLink



Colour:

● Black, similar to RAL 9005

○ White, similar to RAL 9003

Special colours on request

Protection class:

IP40, with seal: IP65 DIN EN 60529

Material:

Enclosure: PC V-0

PC V-0 material is flame-resistant, self-extinguishing and suitable for outdoor use (f1 listing acc. to UL 746C).

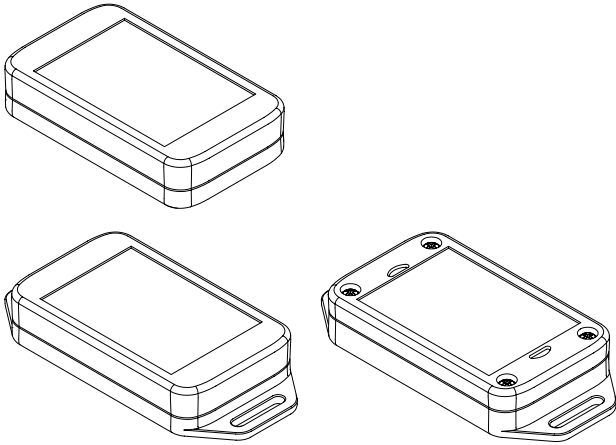
Seal: TPE

For details see technical information.

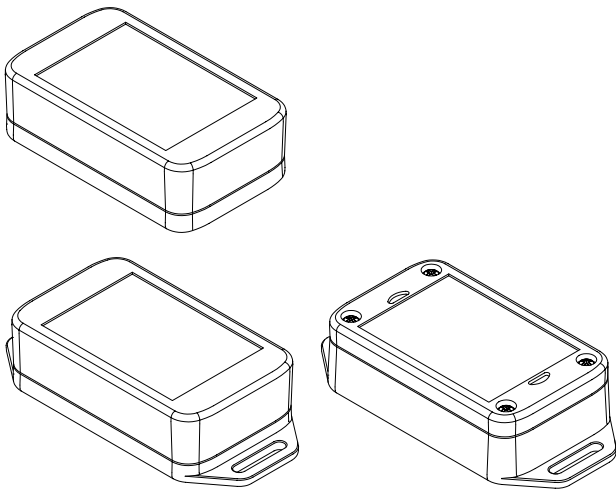


Enclosure size

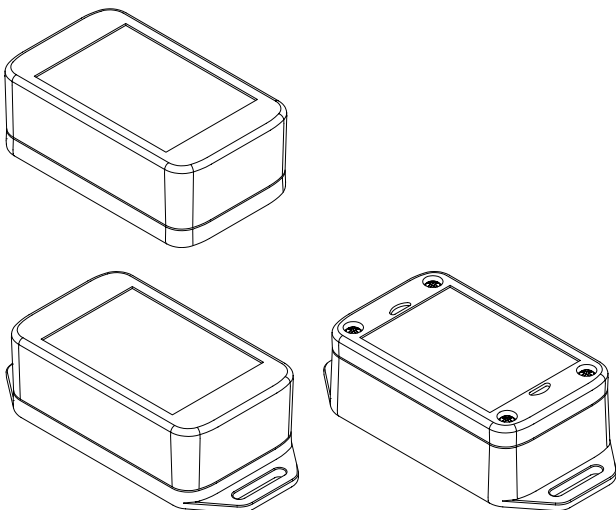
BL 704015...



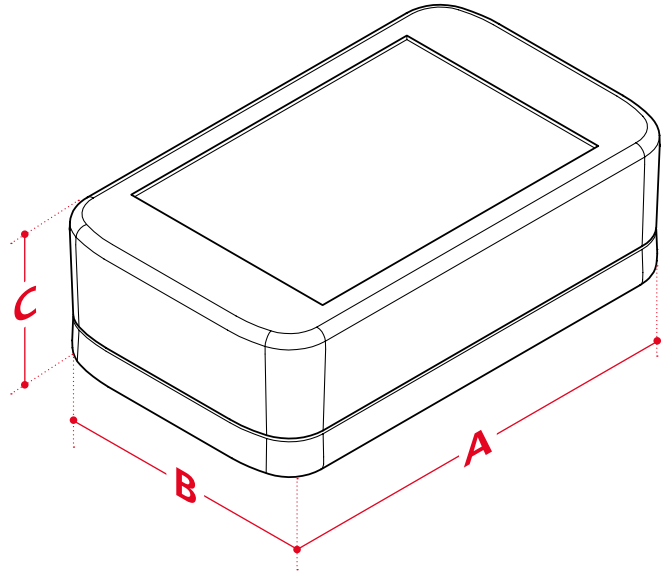
BL 704020...



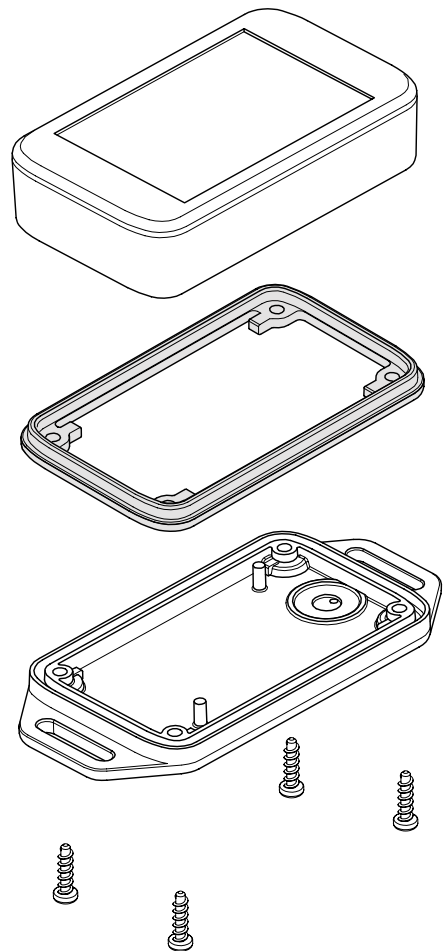
BL 704025...



Design type



Lid fixing below (BL...)





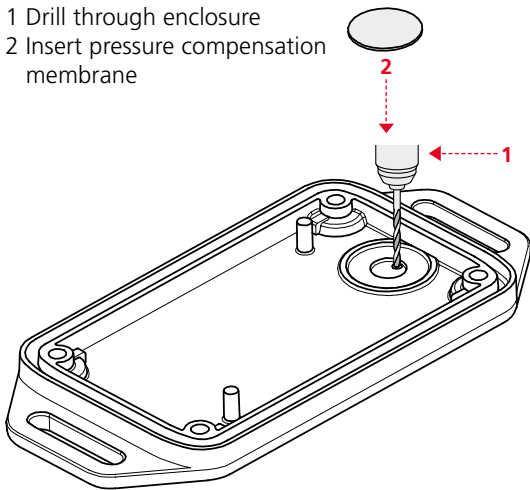
BOPLA

A Phoenix Mecano Company

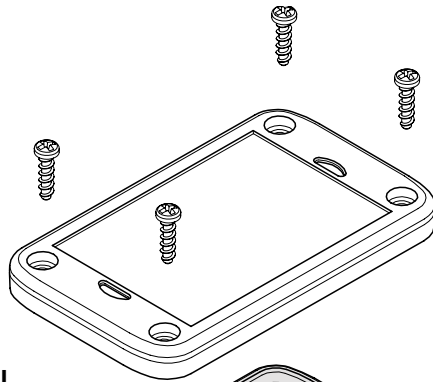
BoLink

Pressure compensation membrane DAE

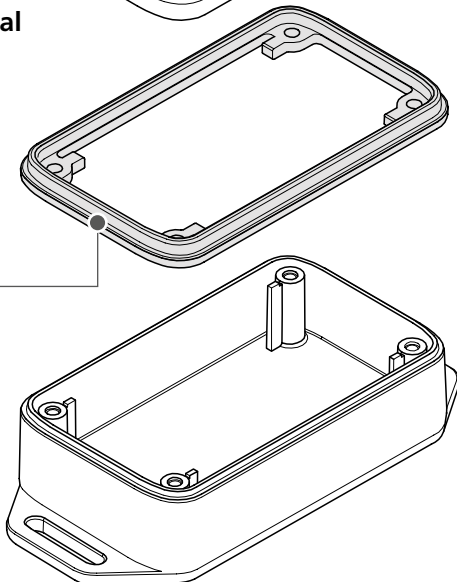
- 1 Drill through enclosure
- 2 Insert pressure compensation membrane



Lid fixing on top (BL...DO)



Design seal



Dimensions

| Model | A | B | C |
|--------------|------|------|------|
| BL 704015... | 70.4 | 42.4 | 15.5 |
| BL 704020... | 70.9 | 42.9 | 22 |
| BL 704025... | 71.2 | 43.2 | 26 |

Accessories



Pressure compensation membrane D11



Seals, IP65

BoLink

Enclosure



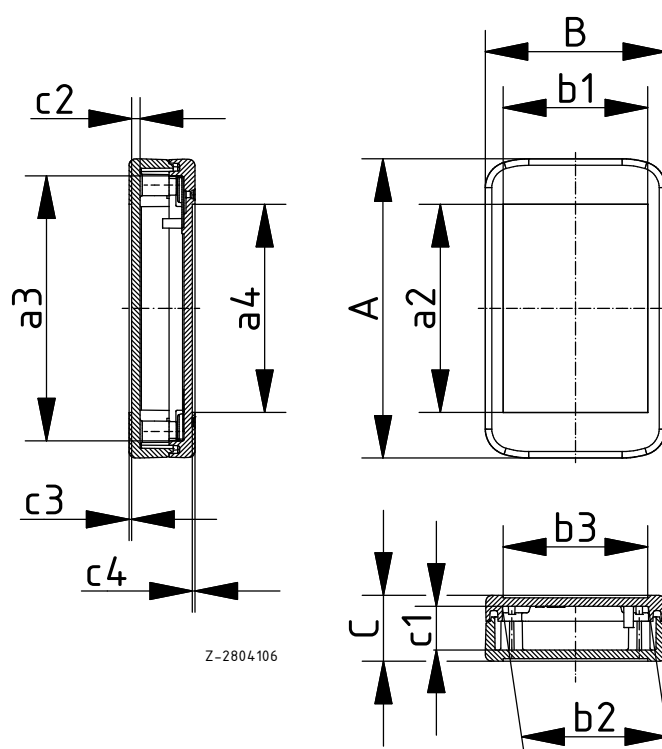
Enclosure, IP40 (IP65)

| Model | Order no. | A | B | C | a1 | a2 | a3 | a4 | b1 | b2 | b3 | c1 | c2 | c3 | c4 | IP | Colour |
|----------------|-----------------|-------|-------|------|----|------|------|----|------|------|----|------|-----|-----|----|----|--------|
| BL 704015-9003 | 16174303 | 70.4 | 42.4 | 15.5 | - | 49 | 62.3 | 49 | 34 | 34.3 | 34 | 10.3 | 2 | - | - | 40 | White |
| BL 704015-9005 | 16174305 | 70.4 | 42.4 | 15.5 | - | 49 | 62.3 | 49 | 34 | 34.3 | 34 | 10.3 | 2 | - | - | 40 | Black |
| BL 704020-9003 | 16174403 | 70.9 | 42.9 | 22 | - | 49 | 62.3 | 49 | 34 | 34.3 | 34 | 16.8 | 2 | - | - | 40 | White |
| BL 704020-9005 | 16174405 | 70.9 | 42.9 | 22 | - | 49 | 62.3 | 49 | 34 | 34.3 | 34 | 16.8 | 2 | - | - | 40 | Black |
| BL 704025-9003 | 16174503 | 71.2 | 43.2 | 26 | - | 49 | 62.3 | 49 | 34 | 34.3 | 34 | 20.8 | 2 | - | - | 40 | White |
| BL 704025-9005 | 16174505 | 71.2 | 43.2 | 26 | - | 49 | 62.3 | 49 | 34 | 34.3 | 34 | 20.8 | 2 | - | - | 40 | Black |
| BL 757530-9003 | 16188603 | 76.25 | 76.25 | 29 | - | 63.5 | 67.3 | 47 | 63.5 | 67.3 | 64 | 22.4 | 2.4 | 1.2 | - | 40 | White |
| BL 757530-9005 | 16188605 | 76.25 | 76.25 | 29 | - | 63.5 | 67.3 | 47 | 63.5 | 67.3 | 64 | 22.4 | 2.4 | 1.2 | - | 40 | Black |
| BL 855530-9003 | 16196603 | 86.25 | 56.25 | 29 | - | 73.5 | 77.3 | 57 | 43.5 | 47.3 | 44 | 22.4 | 2.4 | 1.2 | - | 40 | White |
| BL 855530-9005 | 16196605 | 86.25 | 56.25 | 29 | - | 73.5 | 77.3 | 57 | 43.5 | 47.3 | 44 | 22.4 | 2.4 | 1.2 | - | 40 | Black |

Scope Of Delivery:

Lid and base, 4 screws

Notes: Upgradable to IP 65 with design seal BL_DI. The dimensions are approximate values. The exact values can be found in the respective product drawing.



BoLink

Enclosure with wall brackets



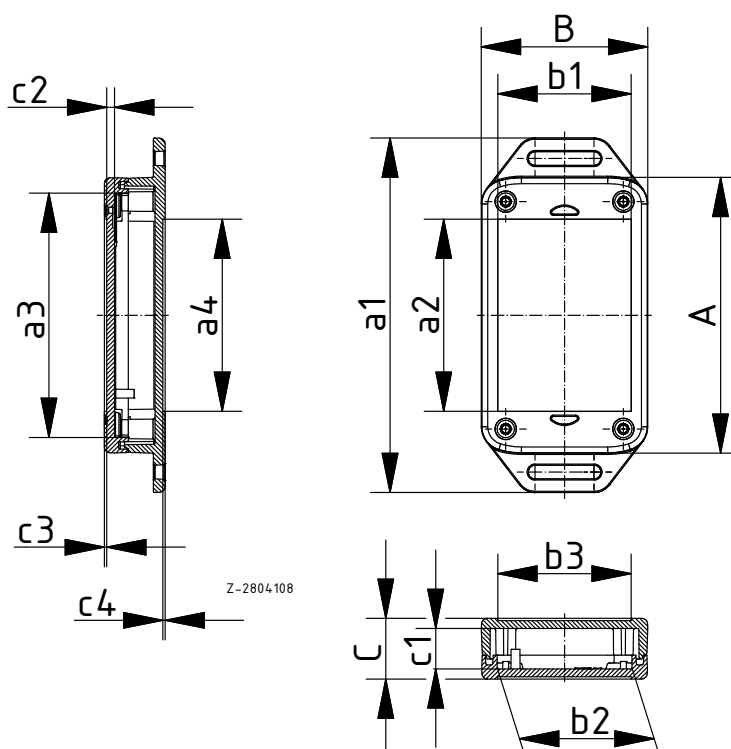
Enclosure with wall brackets, IP40 (IP65)

| Model | Order no. | A | B | C | a1 | a2 | a3 | a4 | b1 | b2 | b3 | c1 | c2 | c3 | c4 | IP | Colour |
|--------------------|-----------------|-------|-------|------|-------|------|------|----|------|------|----|------|-----|-----|----|----|--------|
| BL 704015 WL2-9003 | 16174333 | 70.4 | 42.4 | 15.5 | 90.2 | 49 | 62.3 | 49 | 34 | 34.3 | 34 | 10.3 | 2 | - | - | 40 | White |
| BL 704015 WL2-9005 | 16174335 | 70.4 | 42.4 | 15.5 | 90.2 | 49 | 62.3 | 49 | 34 | 34.3 | 34 | 10.3 | 2 | - | - | 40 | Black |
| BL 704020 WL2-9003 | 16174433 | 70.9 | 42.9 | 22 | 90.2 | 49 | 62.3 | 49 | 34 | 34.3 | 34 | 16.8 | 2 | - | - | 40 | White |
| BL 704020 WL2-9005 | 16174435 | 70.9 | 42.9 | 22 | 90.2 | 49 | 62.3 | 49 | 34 | 34.3 | 34 | 16.8 | 2 | - | - | 40 | Black |
| BL 704025 WL2-9003 | 16174533 | 71.2 | 43.2 | 26 | 90.2 | 49 | 62.3 | 49 | 34 | 34.3 | 34 | 20.8 | 2 | - | - | 40 | White |
| BL 704025 WL2-9005 | 16174535 | 71.2 | 43.2 | 26 | 90.2 | 49 | 62.3 | 49 | 34 | 34.3 | 34 | 20.8 | 2 | - | - | 40 | Black |
| BL 757530 WL2-9003 | 16188633 | 76.25 | 76.25 | 29 | 105.4 | 63.5 | 67.3 | 47 | 63.5 | 67.3 | 64 | 22.4 | 2.4 | 1.2 | - | 40 | White |
| BL 757530 WL2-9005 | 16188635 | 76.25 | 76.25 | 29 | 105.4 | 63.5 | 67.3 | 47 | 63.5 | 67.3 | 64 | 22.4 | 2.4 | 1.2 | - | 40 | Black |
| BL 855530 WL2-9003 | 16196633 | 86.25 | 56.25 | 29 | 115.4 | 73.5 | 77.3 | 57 | 43.5 | 47.3 | 44 | 22.4 | 2.4 | 1.2 | - | 40 | White |
| BL 855530 WL2-9005 | 16196635 | 86.25 | 56.25 | 29 | 115.4 | 73.5 | 77.3 | 57 | 43.5 | 47.3 | 44 | 22.4 | 2.4 | 1.2 | - | 40 | Black |

Scope Of Delivery:

Lid and base, 4 screws

Notes: Upgradable to IP 65 with design seal BL_DI. The dimensions are approximate values. The exact values can be found in the respective product drawing.



BoLink

Enclosure with wall brackets



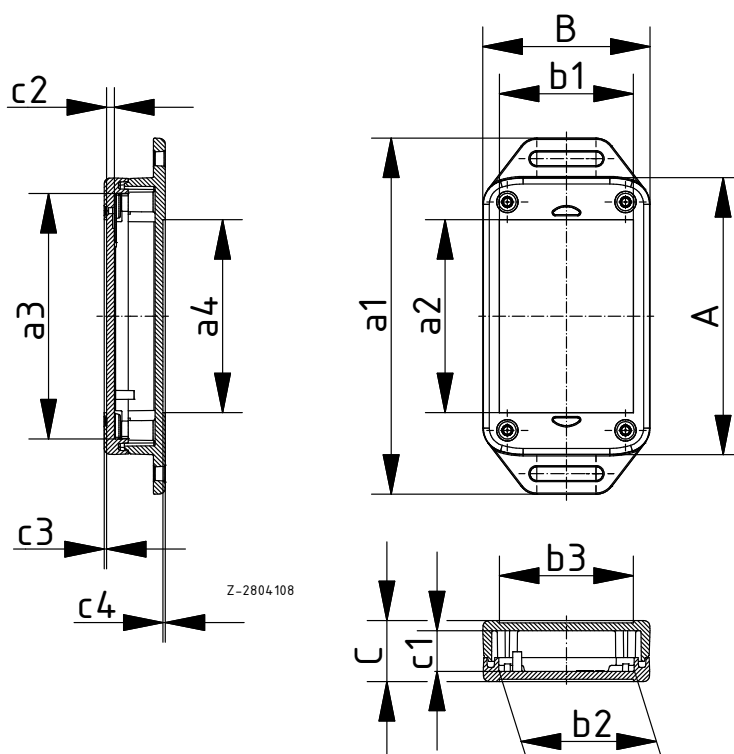
Enclosure with wall brackets and lid fixing from the top, IP40 (IP65)

| Model | Order no. | A | B | C | a1 | a2 | a3 | a4 | b1 | b2 | b3 | c1 | c2 | c3 | c4 | IP | Colour |
|-----------------------|-----------------|------|-------|------|--------|------|------|------|------|------|------|------|----|-----|----|----|--------|
| BL 704015 WL2 DO-9003 | 16174363 | 70.4 | 42.4 | 15.5 | 90.4 | 49 | 62.3 | 49 | 34 | 34.3 | 34 | 10.3 | 2 | - | - | 40 | White |
| BL 704015 WL2 DO-9005 | 16174365 | 70.4 | 42.4 | 15.5 | 90.4 | 49 | 62.3 | 49 | 34 | 34.3 | 34 | 10.3 | 2 | - | - | 40 | Black |
| BL 704020 WL2 DO-9003 | 16174463 | 70.8 | 42.9 | 22 | 90.9 | 49 | 62.3 | 49 | 34 | 34.3 | 34 | 16.8 | 2 | - | - | 40 | White |
| BL 704020 WL2 DO-9005 | 16174465 | 70.8 | 42.9 | 22 | 90.9 | 49 | 62.3 | 49 | 34 | 34.3 | 34 | 16.8 | 2 | - | - | 40 | Black |
| BL 704025 WL2 DO-9003 | 16174563 | 71.1 | 43.2 | 26 | 91.2 | 49 | 62.3 | 49 | 34 | 34.3 | 34 | 20.8 | 2 | - | - | 40 | White |
| BL 704025 WL2 DO-9005 | 16174565 | 71.1 | 43.2 | 26 | 91.2 | 49 | 62.3 | 49 | 34 | 34.3 | 34 | 20.8 | 2 | - | - | 40 | Black |
| BL 757530 WL2 DO-9003 | 16188663 | 76.2 | 76.25 | 29 | 106.25 | 51.5 | 67.3 | 47 | 62.5 | 67.3 | 62.5 | 22.8 | 2 | 1.2 | - | 40 | White |
| BL 757530 WL2 DO-9005 | 16188665 | 76.2 | 76.25 | 29 | 106.25 | 51.5 | 67.3 | 47 | 62.5 | 67.3 | 62.5 | 22.8 | 2 | 1.2 | - | 40 | Black |
| BL 855530 WL2 DO-9003 | 16196663 | 86.2 | 56.25 | 29 | 116.25 | 60.9 | 77.3 | 50.5 | 42.5 | 47.3 | 45.5 | 22.8 | 2 | 1.2 | - | 40 | White |
| BL 855530 WL2 DO-9005 | 16196665 | 86.2 | 56.25 | 29 | 116.25 | 60.9 | 77.3 | 50.5 | 42.5 | 47.3 | 45.5 | 22.8 | 2 | 1.2 | - | 40 | Black |

Scope Of Delivery:

Lid and base, 4 screws

Notes: Upgradable to IP 65 with design seal BL_DI. The dimensions are approximate values. The exact values can be found in the respective product drawing.



BoLink

Enclosure with air vents



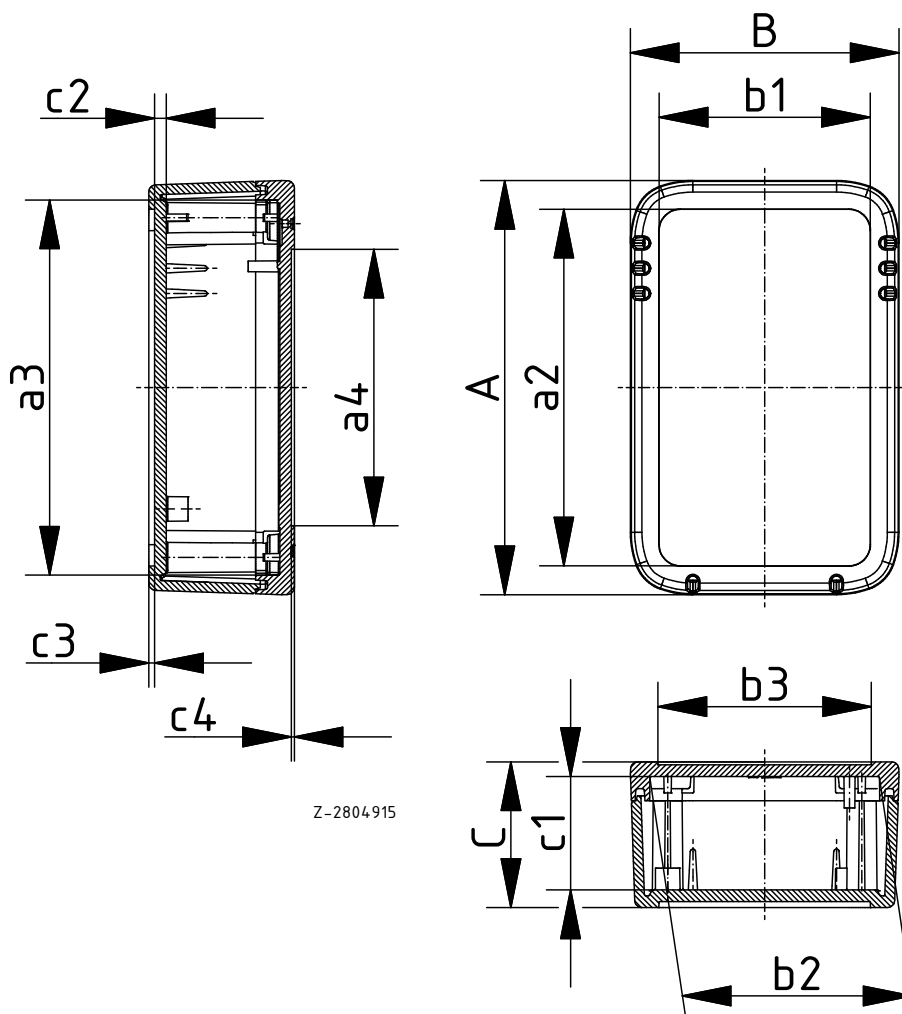
Enclosure with air vents

| Model | Order no. | A | B | C | a1 | a2 | a3 | a4 | b1 | b2 | b3 | c1 | c2 | c3 | c4 | IP | Colour |
|------------------|-----------------|------|------|----|----|------|------|----|------|------|----|------|-----|-----|----|----|--------|
| BL 757530 L-9003 | 16288603 | 75.4 | 75.4 | 30 | - | 63.5 | 67.3 | 47 | 63.5 | 67.3 | 64 | 23.4 | 2.4 | 1.2 | - | 30 | White |
| BL 757530 L-9005 | 16288605 | 75.4 | 75.4 | 30 | - | 63.5 | 67.3 | 47 | 63.5 | 67.3 | 64 | 23.4 | 2.4 | 1.2 | - | 30 | Black |
| BL 855530 L-9003 | 16296603 | 85.4 | 55.4 | 30 | - | 73.5 | 77.3 | 57 | 43.5 | 47.3 | 44 | 23.4 | 2.4 | 1.2 | - | 30 | White |
| BL 855530 L-9005 | 16296605 | 85.4 | 55.4 | 30 | - | 73.5 | 77.3 | 57 | 43.5 | 47.3 | 44 | 23.4 | 2.4 | 1.2 | - | 30 | Black |

Scope Of Delivery:

Lid and base, 4 screws

Notes: The dimensions are approximate values. The exact values can be found in the respective product drawing.



BoLink

Enclosure with ventilation slots and wall brackets



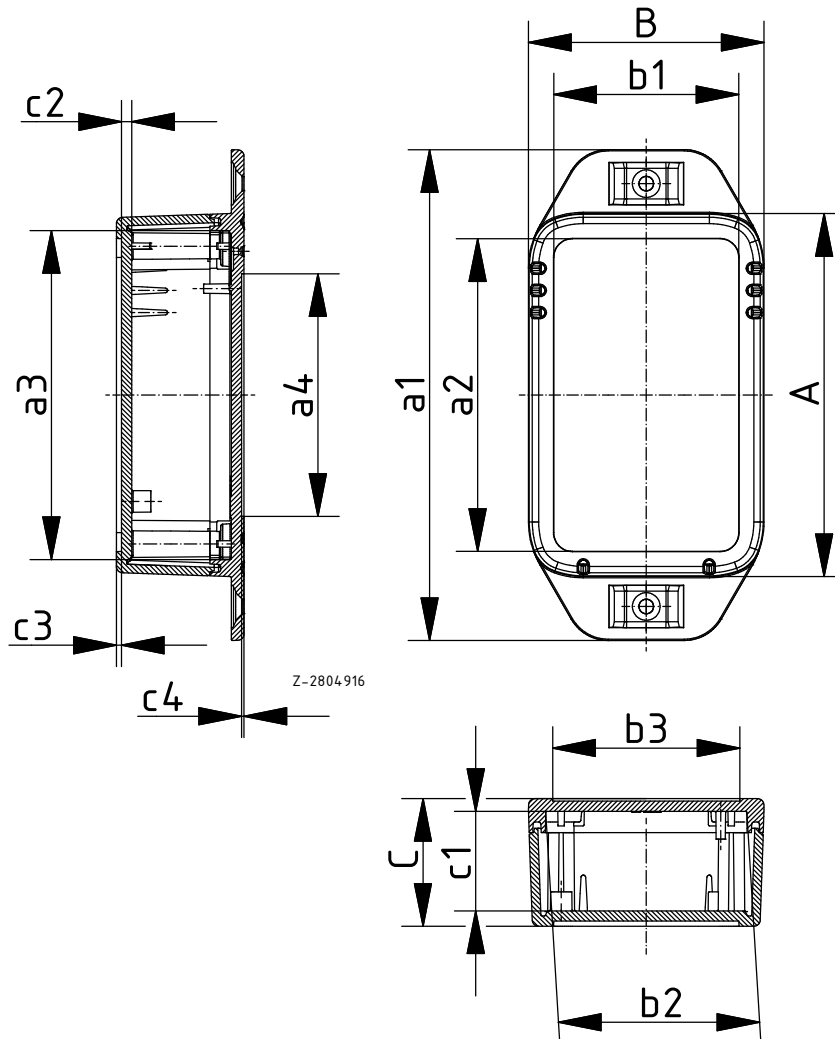
Enclosure with ventilation slots and wall brackets

| Model | Order no. | A | B | C | a1 | a2 | a3 | a4 | b1 | b2 | b3 | c1 | c2 | c3 | c4 | IP | Colour |
|----------------------|-----------------|-------|------|----|-------|------|------|----|------|------|----|------|-----|-----|----|----|--------|
| BL 757530 L-WL2-9003 | 16288633 | 75.93 | 75.4 | 30 | 105.4 | 63.5 | 67.3 | 47 | 63.5 | 67.3 | 64 | 23.4 | 2.4 | 1.2 | - | 30 | White |
| BL 757530 L-WL2-9005 | 16288635 | 75.93 | 75.4 | 30 | 105.4 | 63.5 | 67.3 | 47 | 63.5 | 67.3 | 64 | 23.4 | 2.4 | 1.2 | - | 30 | Black |
| BL 855530 L-WL2-9003 | 16296633 | 85.33 | 55.4 | 30 | 115.4 | 73.5 | 77.3 | 57 | 43.5 | 47.3 | 44 | 23.4 | 2.4 | 1.2 | - | 30 | White |
| BL 855530 L-WL2-9005 | 16296635 | 85.33 | 55.4 | 30 | 115.4 | 73.5 | 77.3 | 57 | 43.5 | 47.3 | 44 | 23.4 | 2.4 | 1.2 | - | 30 | Black |

Scope Of Delivery:

Lid and base, 4 screws

Notes: The dimensions are approximate values. The exact values can be found in the respective product drawing.



BoLink

Accessories

Design seal, IP65

| Model | Order no. | IP | Colour |
|-----------------|-----------|----|-------------|
| BL 7040 DI-9005 | 16374005 | 65 | Black |
| BL 7040 DI-9016 | 16374003 | 65 | White |
| BL 7040 DI-3001 | 16374001 | 65 | Signal red |
| BL 7040 DI-5005 | 16374002 | 65 | Signal blue |
| BL 7575 DI-9005 | 16388005 | 65 | Black |
| BL 7575 DI-9016 | 16388003 | 65 | White |
| BL 7575 DI-3001 | 16388001 | 65 | Signal red |
| BL 7575 DI-5005 | 16388002 | 65 | Signal blue |
| BL 8555 DI-9005 | 16396005 | 65 | Black |
| BL 8555 DI-9016 | 16396003 | 65 | White |
| BL 8555 DI-3001 | 16396001 | 65 | Signal red |
| BL 8555 DI-5005 | 16396002 | 65 | Signal blue |

Scope Of Delivery:

5 seals



Pressure compensation membrane DAE

| Model | Order no. | Note |
|---------|-----------|--------------------------------|
| DAE-D11 | 52011000 | Self-adhesive membrane ø 11 mm |

Scope Of Delivery:

5 pieces

Notes: Air, which may create a vacuum in the enclosure when it cools, can suck in water etc. through the seal into the enclosure, which means that ingress protection can no longer be guaranteed. BOPLA's product range includes the pressure compensation element to compensate such variations in pressure caused by differences in temperature. Processing of the enclosure and mounting on request.



Sealing plugs for wall mounting

| Model | Order no. | Colour |
|------------|-----------|--------|
| BL VS-9003 | 16700003 | White |
| BL VS-9005 | 16700005 | Black |

Scope Of Delivery:

10 pieces

Notes: The sealing plug cannot be mounted if the attachment slot is used on a mast with a cable tie.

