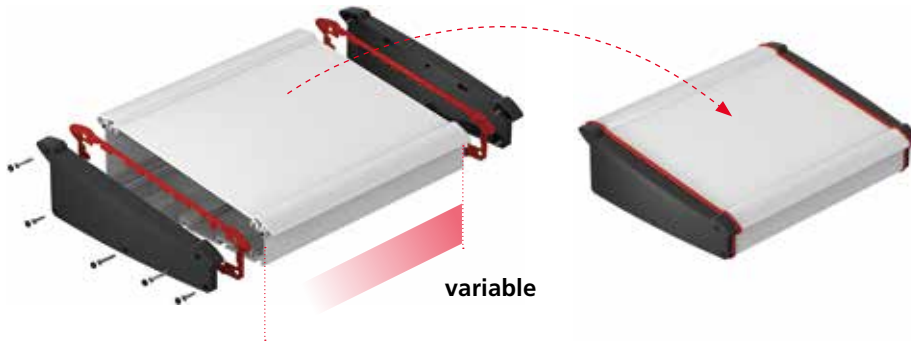


## The product advantages



The enclosure body consists of anodised aluminium profiles and can be adapted to any application (coloured design seals only with the ATPH-IP variant).



Plastic lids are available as profile ends in three standard colours – and now also in black, as many customers have requested. The ATPH-IP variant also has a design seal.



The split enclosure profile allows easy access to the interior, and fast, problem-free mounting of the electronic components.



The factory-fitting of a round cord seal in combination with the AT...DI seal ensures that the ATPH variant (left) achieves protection class IP54. The ATPH-IP version (right) provides IP65 protection as standard.



The profiles are equipped with various plug-in slots and also screw channels for alternative uses for mounting circuit boards.



Quick-Finder:  
[www.bopla.de/92](http://www.bopla.de/92)

## Examples of use





**BOPLA**

A Phoenix Mecano Company

# Alu-Topline



## Colour:

Profile anodized in natural color

Plastic lid:

● Graphite grey, similar to RAL 7024

● Black, similar to RAL 9005

Special colours on request

## Protection class:

ATPH: IP 40; optional IP 54 DIN EN 60529;

ATPH-IP: IP 65 DIN EN 60529

## Material:

Extruded profiles: Al Mg Si 0,5; anodized

Plastic lid: ABS

Design seal: TPE

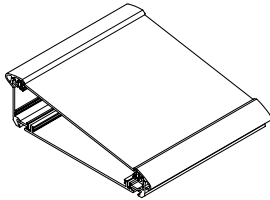
Seal: EPDM

For details see technical information.

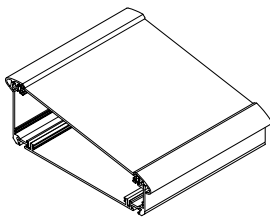


## Cross-sections

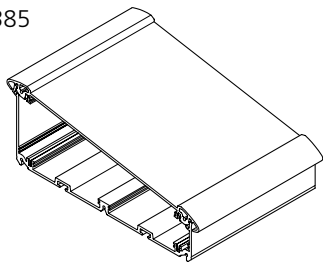
ATPH 1850



ATPH 1865

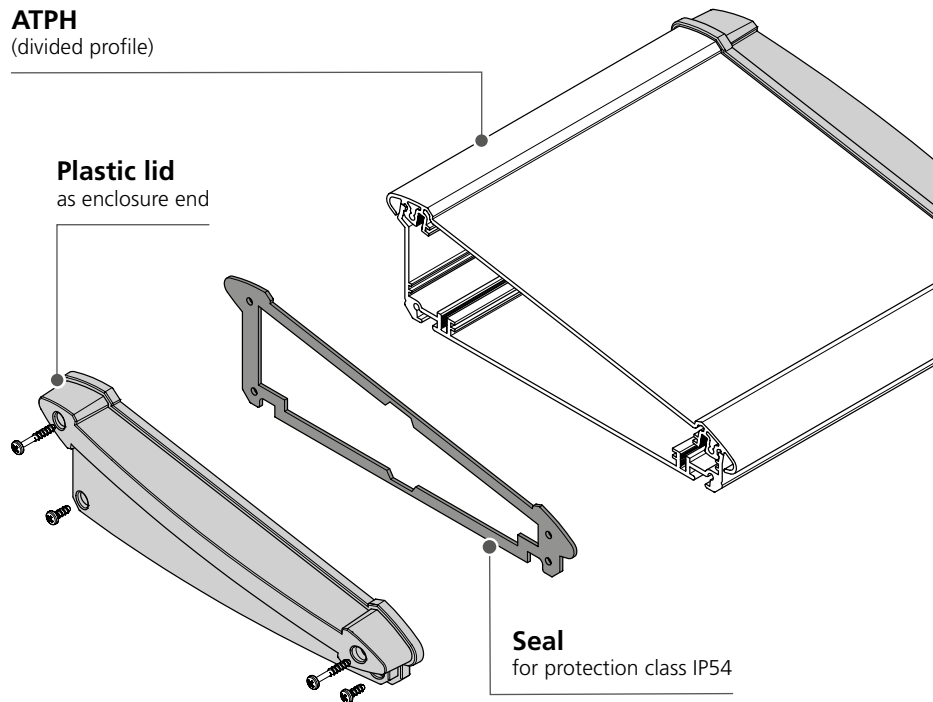


ATPH-IP 2385

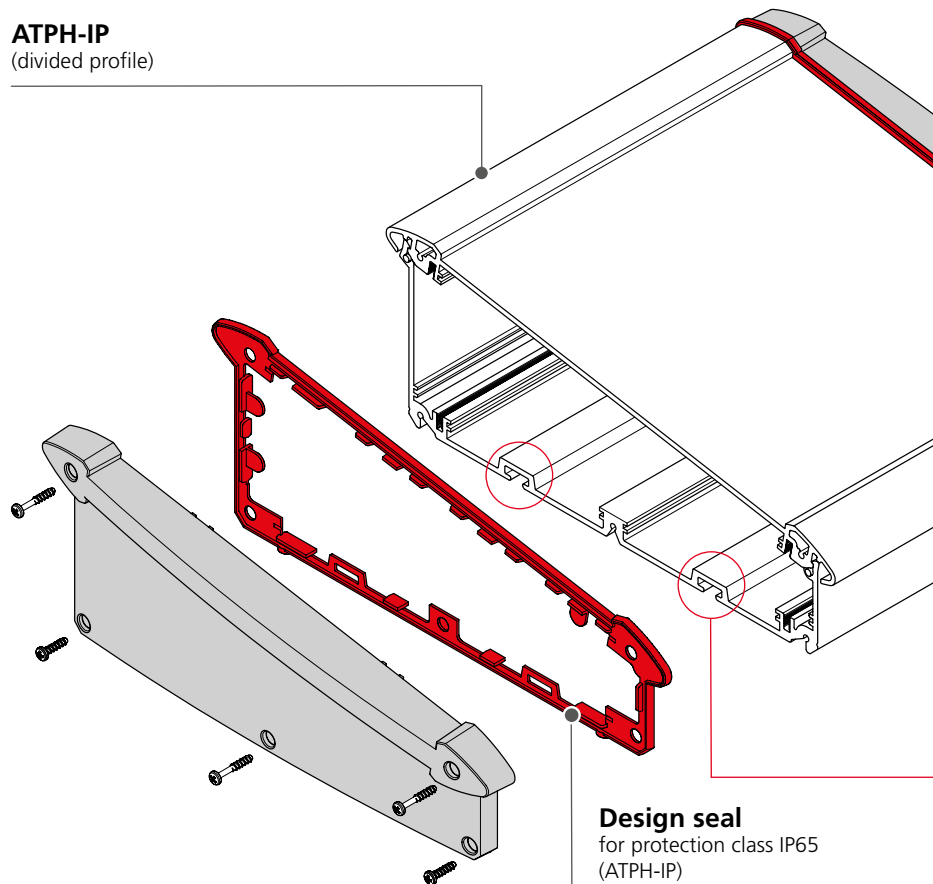


## Enclosure versions

**ATPH**  
(divided profile)



**ATPH-IP**  
(divided profile)





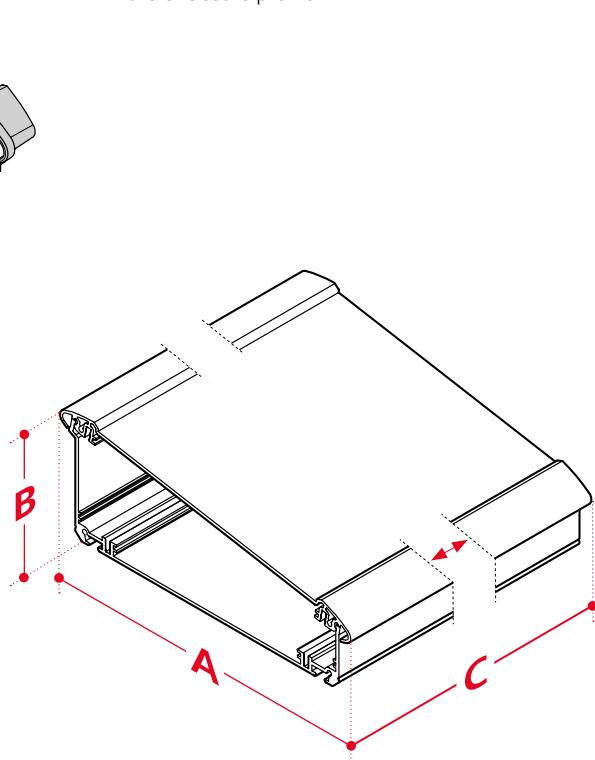
**BOPLA**

A Phoenix Mecano Company

# Alu-Topline

## ! Note

For protection class IP54, in addition to seal AT...DI – available as an accessory – a round cord seal can be factory-fitted in the enclosure profile.



## Dimensions

Model	A	B	C
ATPH 1850	181.2	53.2	*
ATPH 1865	181.2	68.2	*
ATPH-IP 2385	232,6	86,2	*

\*C = standard lengths: 150 / 200 / 250 / 265 / 300  
Special lengths on request.

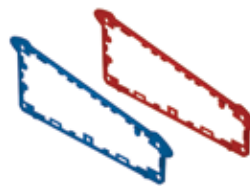
## Accessories



Universal wall fitting



Rubber feet



Design seal for protection class IP65



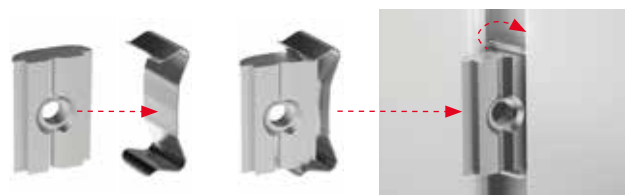
Seal for protection class IP54



Aluminium wall mounting



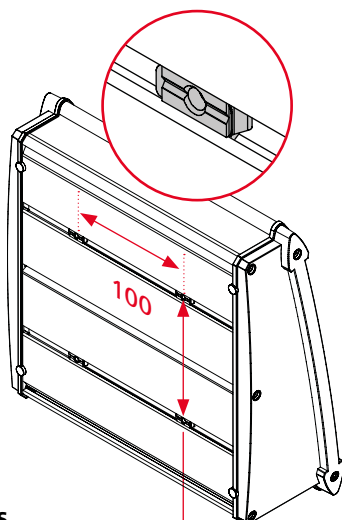
Insulating strip



Slot nuts, swivellable, for VESA mounting ATPH-IP

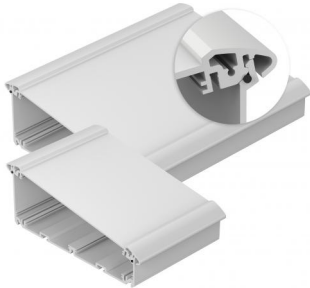
## Inserts for slot nuts

e.g. for wall mounting using VESA 100



# Alu-Topline

Enclosure, IP65



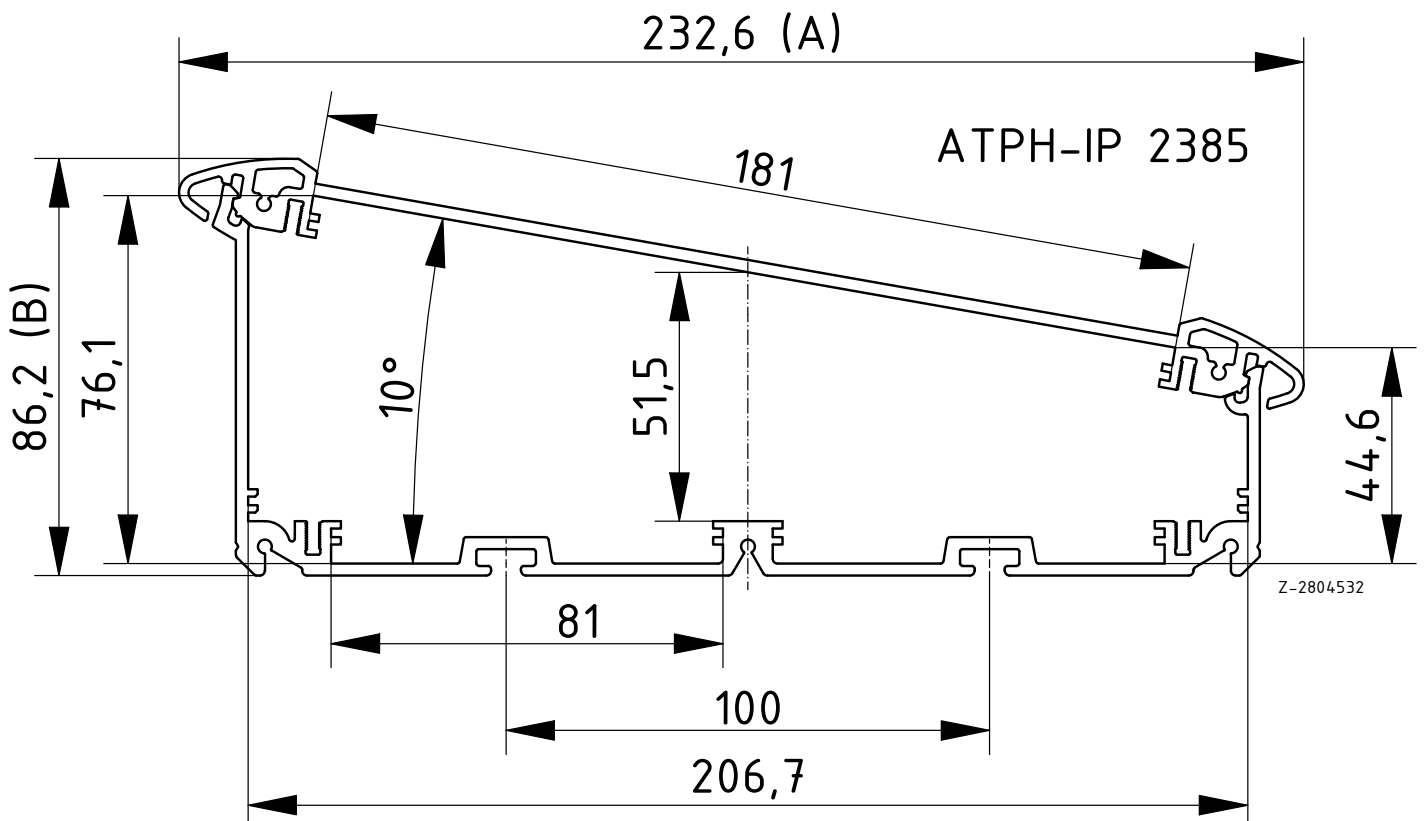
## Enclosure profiles, horizontally-divided

Model	Order no.	A	B	C	IP
ATPH-IP 2385-0150	<b>92385150</b>	232.6	86.2	150	65
ATPH-IP 2385-0200	<b>92385200</b>	232.6	86.2	200	65
ATPH-IP 2385-0250	<b>92385250</b>	232.6	86.2	250	65
ATPH-IP 2385-0265	<b>92385265</b>	232.6	86.2	265	65
ATPH-IP 2385-0300	<b>92385300</b>	232.6	86.2	300	65
ATPH-IP 2385-1000	<b>92385000</b>	232.6	86.2	1000	65

### Scope Of Delivery:

Enclosure profile, two parts including profile seal

**Notes:** C = profile length, special lengths on request. The dimensions are approximate values. The exact values can be found in the respective product drawing.



# Alu-Topline

## Enclosure

### Enclosure profiles, horizontally-divided

Model	Order no.	A	B	C	IP
ATPH 1850-0150	92850150	181.2	53.2	150	40
ATPH 1850-0200	92850200	181.2	53.2	200	40
ATPH 1850-0250	92850250	181.2	53.2	250	40
ATPH 1850-0300	92850300	181.2	53.2	300	40
ATPH 1865-0150	92865150	181.2	68.2	150	40
ATPH 1865-0200	92865200	181.2	68.2	200	40
ATPH 1865-0250	92865250	181.2	68.2	250	40
ATPH 1865-0300	92865300	181.2	68.2	300	40

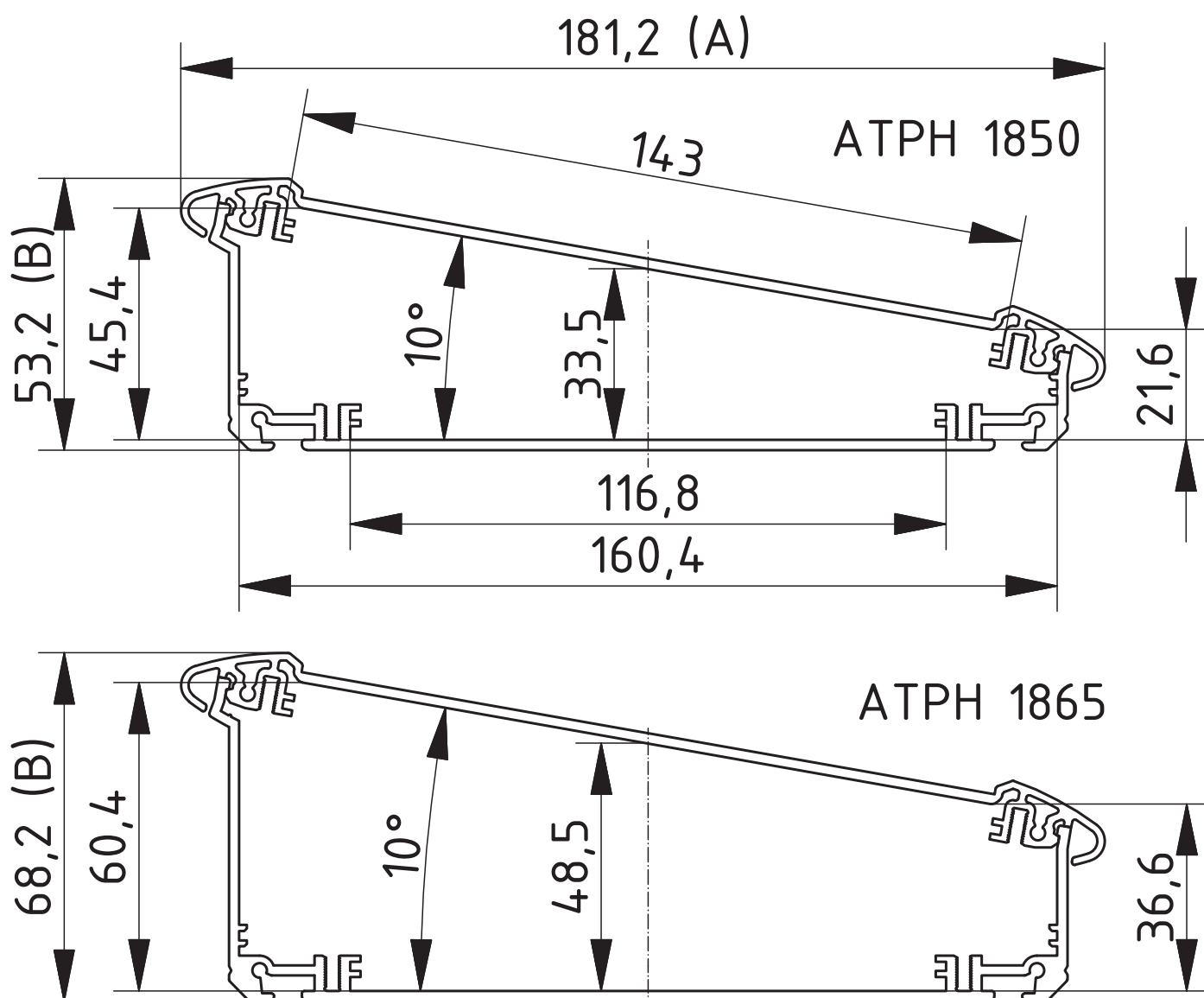


#### Scope Of Delivery:

Enclosure profile, 2 parts

**Notes:** Upgradable to IP 54 by fitting AT...DI. Special lengths on request. The dimensions are approximate values.

The exact values can be found in the respective product drawing.



Z-2803215

# Alu-Topline

## End Cover & Seals

### End cover, ATPH-IP

Model	Order no.	IP	Colour	Note
ATD-IP 2385-9005	<b>92023005</b>	65	Black	For ATPH-IP 2385

#### Scope Of Delivery:

2 covers and black design seal (left and right), screws, black screw covers

### End cover

Model	Order no.	IP	Colour	Note
ATD 1850-7024	<b>92050024</b>	54	Graphite grey	For ATPH 1850
ATD 1850-9005	<b>92050005</b>	54	Black	For ATPH 1850
ATD 1865-7024	<b>92065024</b>	54	Graphite grey	For ATPH 1865
ATD 1865-9005	<b>92065005</b>	54	Black	For ATPH 1865

#### Scope Of Delivery:

2 lids, 8 screws, 8 screw covers

### Design seal, ATPH-IP

Model	Order no.	IP	Note
AT-IP 2385 DI-5005	<b>92023000</b>	65	For ATPH-IP 2385
AT-IP 2385 DI-3001	<b>92023001</b>	65	For ATPH-IP 2385

#### Scope Of Delivery:

5 sets (r. / l.)

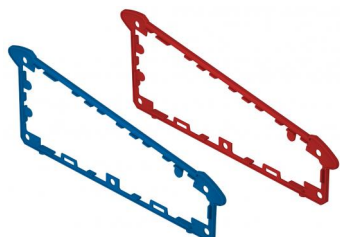
### Seals for ingress protection IP 54

Model	Order no.	IP	Note
AT 1850 DI	<b>92050000</b>	54	For ATPH 1850
AT 1865 DI	<b>92065000</b>	54	For ATPH 1865

#### Scope Of Delivery:

5 sets of sponge rubber seals (r. / l.)

**Notes:** For protection class IP 54, in addition to seal AT...DI - available as an accessory - a round cord seal can be factory-fitted in the enclosure profile. Using the seals increases the enclosure width by approx. 1.6 mm.



# Alu-Topline

## Accessories

### Wall fastening, aluminium

Model	Order no.	Note
AT 1800-0150 WB	<b>92800150</b>	For ATPH 18..-0150
AT 1800-0200 WB	<b>92800200</b>	For ATPH 18..-0200
AT 1800-0250 WB	<b>92800250</b>	For ATPH 18..-0250
AT 1800-0300 WB	<b>92800300</b>	For ATPH 18..-0300

#### Scope Of Delivery:

1 wall profile, 2 slotted set screws

**Notes:** Special lengths on request.



### Universal wall fitting

Model	Order no.	Colour	Note
AT 0150-7024 UWB	<b>92815024</b>	Graphite grey	For ATPH 18..-0150
AT 0200-7024 UWB	<b>92820024</b>	Graphite grey	For ATPH 18..-0200
AT 0250-7024 UWB	<b>92825024</b>	Graphite grey	For ATPH 18..-0250
AT 0300-7024 UWB	<b>92830024</b>	Graphite grey	For ATPH 18..-0300

#### Scope Of Delivery:

Profile (aluminium), 2 PA6 side flanges (complete), screws, covers

**Notes:** Can be swivelled in 10° stages. Enclosure processing on request.



### Insulating strip for PCB mounting on the profile

Model	Order no.	Note
AT-IS 00020	<b>92000100</b>	Length: 101,5 mm

#### Scope Of Delivery:

1 insulating strip

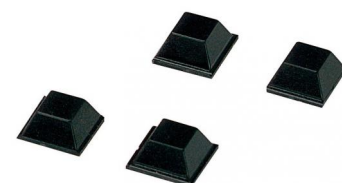


### Rubber feet

Model	Order no.	Colour	Note
AB - GF	<b>84006700</b>	Black	Polyurethane, 65-75 Shore

#### Scope Of Delivery:

4 rubber feet



### Slot nuts, swivellable, for VESA mounting ATPH-IP

Model	Order no.	Note
NST6 M4	<b>92000212</b>	For ATPH-IP 2385

#### Scope Of Delivery:

4 slot nuts, incl. springs

**Notes:** suitable for later mounting

